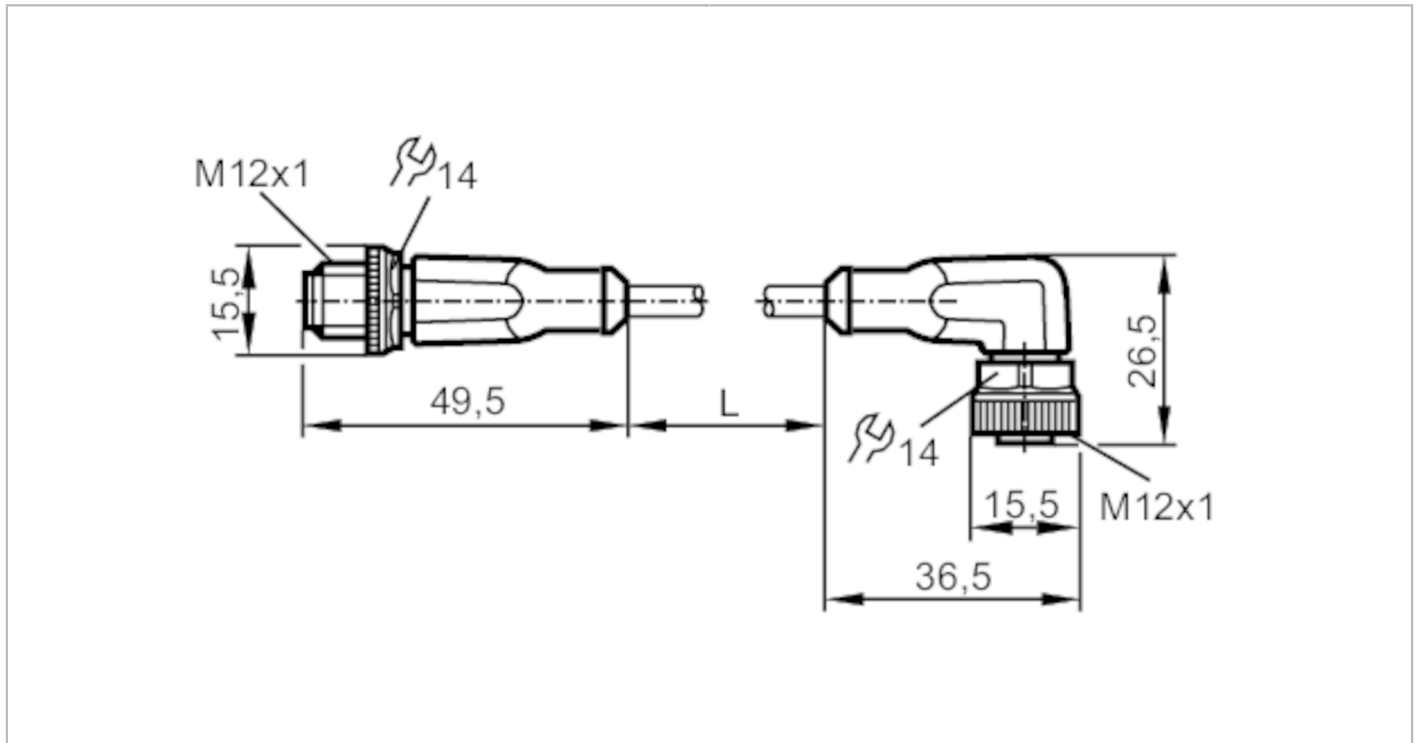


# EVC192



## Connection cable

VDOAH050MSS0003H05STGH050MSS



| Application                          |                                 |  |
|--------------------------------------|---------------------------------|--|
| Free from silicone                   | yes                             |  |
| Electrical data                      |                                 |  |
| Operating voltage [V]                | < 60 AC/DC                      |  |
| Protection class                     | II                              |  |
| Max. current load total [A]          | 4; (cULus: 3)                   |  |
| Operating conditions                 |                                 |  |
| Ambient temperature [°C]             | -25...90                        |  |
| Note on ambient temperature          | cULus: ...75                    |  |
| Ambient temperature (moving) [°C]    | -25...90                        |  |
| Note on ambient temperature (moving) | cULus: ...75                    |  |
| Protection                           | IP 65; IP 67; IP 68; IP 69K     |  |
| Mechanical data                      |                                 |  |
| Weight [g]                           | 132.4                           |  |
| Materials                            | housing: TPU; Sealing: FKM      |  |
| Material nut                         | brass / brass                   |  |
| Drag chain suitability               | bending radius for flexible use | min. 10 x cable diameter   |
|                                      | travel speed                    | max. 3.3 m/s for a horizontal travel length of 5 m and max. acceleration of 5 m/s <sup>2</sup> |
|                                      | bending cycles                  | > 5 Mio.   |
|                                      | torsional strain                | ± 180 °/m  |
| Drag chain suitability               | yes                             |  |

# EVC192



## Connection cable

VDOAH050MSS0003H05STGH050MSS

### Remarks

Pack quantity

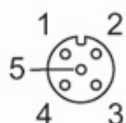
1 pcs.

### Electrical connection

Cable: 3 m, PUR, Halogen-free, black, Ø 4.9 mm; 5 x 0.34 mm<sup>2</sup> (42 x Ø 0.1 mm )

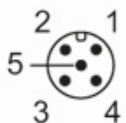
### Electrical connection - socket

Connector: 1 x M12, angled; Locking: brass, nickel-plated; Contacts: gold-plated; Tightening torque: 0.6...1.5 Nm



### Electrical connection - plug

Connector: 1 x M12, straight; Locking: brass, nickel-plated; Contacts: gold-plated; Tightening torque: 0.6...1.5 Nm



### Connection

