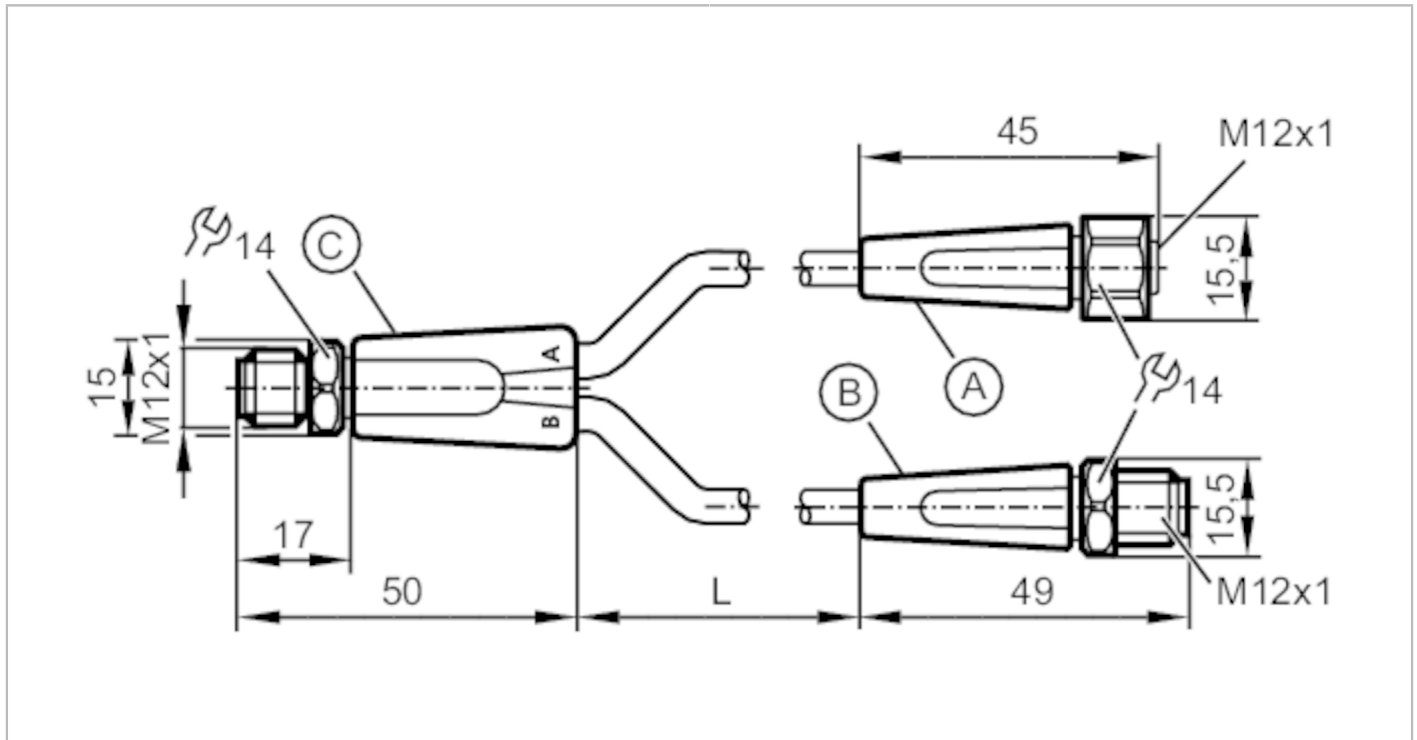


# EVF694



## Y connection cable

YDSGHDA0VAS0002PDASTGH030VAS



Application		
Application	hygienic and wet areas in the food industry	
Free from silicone	yes	
Electrical data		
Operating voltage [M]	< 24 DC	
Protection class	III	
Max. current load total [A]	4	
Operating conditions		
Ambient temperature [°C]	-25...100	
Protection	IP 65; IP 67; IP 68; IP 69K	
Mechanical data		
Weight [g]	159.8	
Materials	Connecting cable with plug: PP grey; Connecting cable with socket: PP grey; Sealing: EPDM	
Number of ports splitter box	2	
Drag chain suitability	bending radius for flexible use	min. 10 x cable diameter
	travel speed	max. 3.3 m/s for a horizontal travel length of 5 m and max. acceleration of 5 m/s <sup>2</sup>
	bending cycles	> 5 Mio.
	torsional strain	± 180 °/m
Drag chain suitability	yes	
Remarks		
Pack quantity	1 pcs.	

# EVF694



## Y connection cable

YDSGHDA0VAS0002PDASTGH030VAS

### Electrical connection

Cable: 2 m, MPPE, Halogen-free, grey,  $\varnothing$  4.9 mm; 2 x 0.34 mm<sup>2</sup> (42 x  $\varnothing$  0.1 mm ) + 5 x 0.34 mm<sup>2</sup> (42 x  $\varnothing$  0.1 mm )

### Electrical connection - Connection

#### Connection

