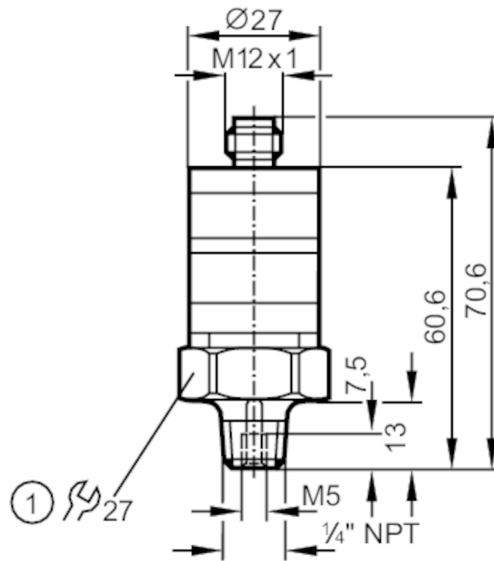


# PK6224



## Pressure switch with intuitive switch point setting

PK-010-RFN14-HCPKG/US/ IW



1 Tightening torque 25 Nm



### Application

Application	for industrial applications	
Media	liquids and gases	
Medium temperature [°C]	-25...80	
Pressure rating	25 bar	362 psi
Min. bursting pressure	300 bar	4350 psi
Type of pressure	relative pressure	
MAWP (for applications according to CRN)	25 bar	362 psi

### Electrical data

Operating voltage [V]	9.6...32 DC
Current consumption [mA]	< 25
Min. insulation resistance [MΩ]	100; (500 V DC)
Protection class	III
Reverse polarity protection	yes

### Inputs / outputs

Number of inputs and outputs	Number of digital outputs: 2
------------------------------	------------------------------

# PK6224



## Pressure switch with intuitive switch point setting

PK-010-RFN14-HCPKG/US/ IW

Outputs		
Total number of outputs	2	
Output signal	switching signal	
Electrical design	PNP	
Number of digital outputs	2	
Output function	complementary	
Max. voltage drop switching output DC [V]	2	
Permanent current rating of switching output DC [mA]	500	
Switching frequency DC [Hz]	100	
Short-circuit protection	yes	
Type of short-circuit protection	pulsed	
Overload protection	yes	
Measuring/setting range		
Measuring range	0...10 bar	0...145 psi
Set point SP	0.5...10 bar	7.5...145 psi
Reset point rP	0.3...9.8 bar	5...142 psi
Accuracy / deviations		
Switch point accuracy [% of the final value]	< ± 2,5; (Setting accuracy)	
Repeatability [% of the final value]	< ± 0,5; (with temperature fluctuations < 10 K)	
Characteristics deviation [% of the final value]	< ± 1,5 (BFSL) / < ± 2,5 (LS); (BFSL = Best Fit Straight Line; LS = limit value setting)	
Temperature drift per 10 K	< ± 0,5	
Temperature drift per 10 K	< ± 0,5	
Software / programming		
Adjustment of the switch point	setting rings	
Operating conditions		
Ambient temperature [°C]	-25...80	
Storage temperature [°C]	-40...100	
Protection	IP 67	
Tests / approvals		
EMC	DIN EN 61000-6-2	
	DIN EN 61000-6-3	
Shock resistance	DIN EN 60068-2-27	50 g (11 ms)
Vibration resistance	DIN EN 60068-2-6	20 g (10...2000 Hz)
MTTF [years]	500	
Pressure Equipment Directive	Sound Engineering Practice; can be used for group 2 fluids; group 1 fluids on request	

# PK6224



## Pressure switch with intuitive switch point setting

PK-010-RFN14-HCPKG/US/ IW

Mechanical data		
Weight [g]	90.6	
Materials	PBT; PC; FKM; stainless steel (1.4404 / 316L)	
Materials (wetted parts)	stainless steel (1.4404 / 316L)	
Min. pressure cycles	50 million	
Process connection	threaded connection 1/4 NPT external thread internal threadM5	
Displays / operating elements		
Display	operation	LED, green
	switching status	LED, yellow
With scale	yes	
Remarks		
Pack quantity	1 pcs.	

### Electrical connection

Connector: 1 x M12



### Connection

