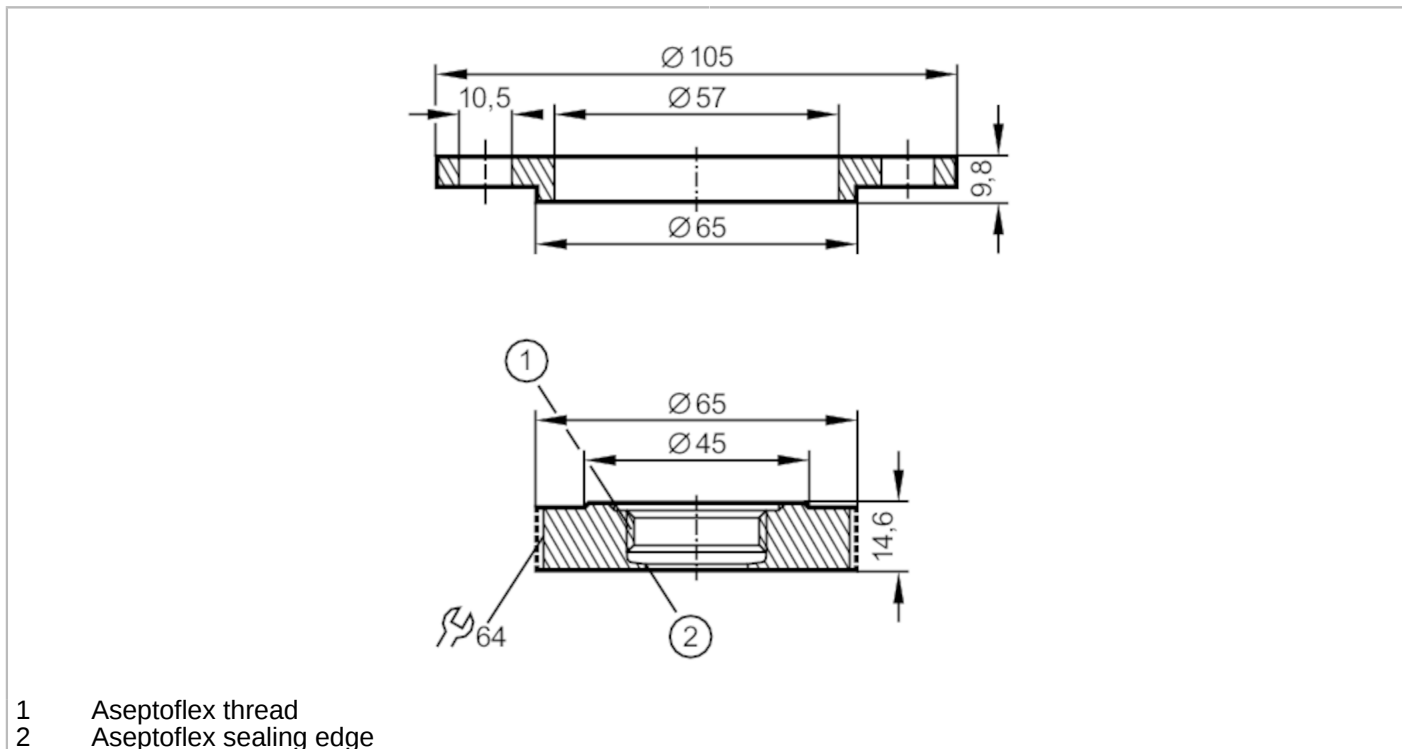


E33042



Process adapter with flange plate

ADAPT IFM-DRD D=65



EC 1935/2004 

Application	
Pressure rating	[bar] 25
Mechanical data	
Weight	[g] 630.2
Materials	stainless steel (1.4404 / 316L)
Sensor connection	Aseptoflex
Process connection	DRD-Flansch D65
Surface characteristics Ra/Rz of the wetted parts	0.4 / 4
Hygienic equipment class to DIN 11866	H4
Remarks	
Pack quantity	1 pcs.