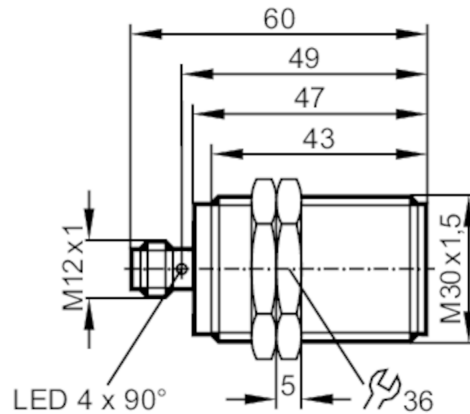


# IIC220



## Inductive AS-Interface sensor

IIC2014BASI /M/US-104




Electrical data		
Operating voltage [V]	26.5...31.6 DC	
Current consumption [mA]	< 30	
Protection class	III	
Reverse polarity protection	yes	
Max. power-on delay time [ms]	1000	
Outputs		
Electrical design	AS-i	
Switching frequency DC [Hz]	100	
Detection zone		
Sensing range [mm]	14	
Operating distance [mm]	0...11.34	
Accuracy / deviations		
Correction factor	steel: 1 / stainless steel: 0.7 / brass: 0.5 / aluminium: 0.45 / copper: 0.35	
Hysteresis [% of Sr]	1...20	
Operating conditions		
Ambient temperature [°C]	-25...70	
Protection	IP 68; ("Coolant")	
Tests / approvals		
EMC	EN 61000-4-2 ESD	4 kV CD / 8 kV AD
	EN 61000-4-3 HF radiated	10 V/m
	EN 61000-4-4 Burst	2 kV
	EN 61000-4-6 HF conducted	10 V
	EN 55011	class B
MTTF [years]	1390	
UL approval	Ta	-25...70 °C
	Enclosure type	Type 1
	voltage supply	Limited Voltage/Current
	File number UL	E174191

# IIC220



## Inductive AS-Interface sensor

IIC2014BASI /M/US-104

AS-i classification					
AS-i version	2.1				
Extended addressing mode possible	yes				
AS-i I/O configuration [hex]	0				
AS-i ID code [hex]	A.F				
AS-i certificate	57401				
Assignment of the data bits	Designation	switching signal	not used	not used	not used
	status = 0	target outside the active zone	-	-	-
	status = 1	target within the active zone	default value	default value	default value
Mechanical data					
Weight [g]	121.4				
Housing	threaded type				
Mounting	flush mountable				
Dimensions [mm]	M30 x 1.5 / L = 60				
Thread designation	M30 x 1.5				
Materials	stainless steel (1.4404 / 316L); sensing face: LCP uncoloured				
Displays / operating elements					
Display	switching status		4 x 90° LED, yellow		
	function		1 x LED, red		
Accessories					
Accessories (supplied)	lock nuts: 2				
Remarks					
Pack quantity	1 pcs.				
Electrical connection - plug					
Connector: 1 x M12; Contacts: gold-plated					
					

# IIC220



## Inductive AS-Interface sensor

IIC2014BASI /M/US-104

### Connection

