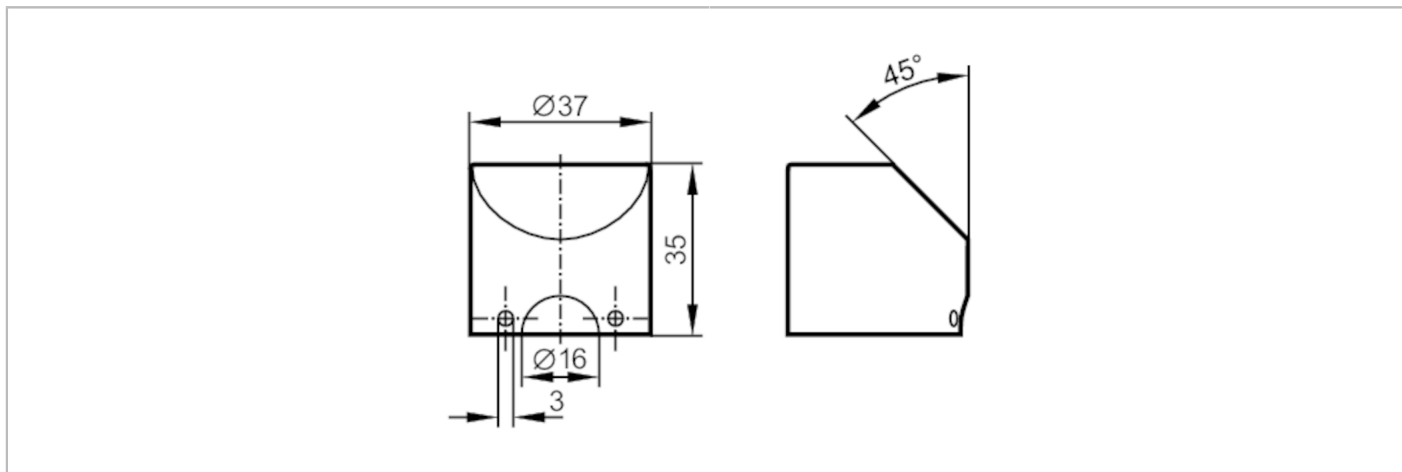


E30006



Protective cover for process sensors

PROTECTIVE COVER 2



Application	
Design	for fluid sensors with connector M12
Mechanical data	
Weight [g]	7
Materials	TPE-U
Remarks	
Pack quantity	1 pcs.