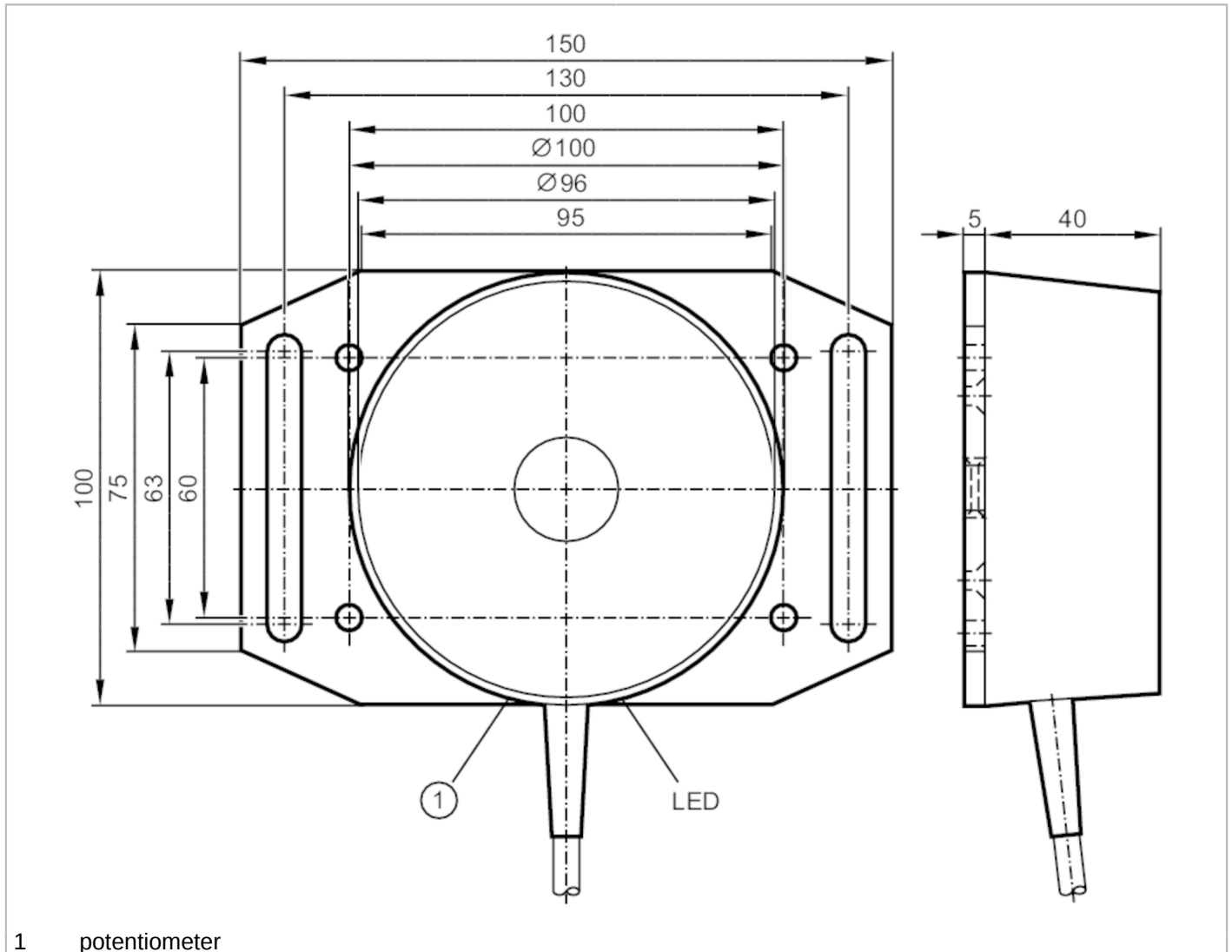


I17003



Inductive area sensor

SIT-3070-BPKG/A-PLATE



1 potentiometer



Electrical data

Operating voltage	[V]	10...36 DC
Current consumption	[mA]	15; (24 V)
Protection class		II
Reverse polarity protection		yes

I17003



Inductive area sensor

SIT-3070-BPKG/A-PLATE

Outputs		
Electrical design		PNP
Output function		normally open
Max. voltage drop switching output DC	[V]	2.5
Permanent current rating of switching output DC	[mA]	250
Switching frequency DC	[Hz]	5
Short-circuit protection		yes
Type of short-circuit protection		pulsed
Overload protection		yes
Detection zone		
Sensing range	[mm]	20...70
Sensing range adjustable		yes
Factory setting sensing range	[mm]	70
Real sensing range Sr	[mm]	70 ± 10 %
Accuracy / deviations		
Correction factor		steel: 1 / stainless steel: 0.7 / brass: 0.4 / aluminium: 0.4 / copper: 0.3
Hysteresis	[% of Sr]	< 15
Switch point drift	[% of Sr]	-15...15
Operating conditions		
Ambient temperature	[°C]	-20...70
Protection		IP 65
Tests / approvals		
EMC	EN 60947-5-2	
	EN 55011	class B
Mechanical data		
Weight	[g]	678
Housing		cylindrical
Mounting		non-flush mountable
Type of mounting		with mounting plate
Dimensions	[mm]	Ø 100
Materials		PBT; Mounting plate: aluminium anodised
Displays / operating elements		
Display	switching status	1 x LED, yellow
Remarks		
Pack quantity		1 pcs.

I17003



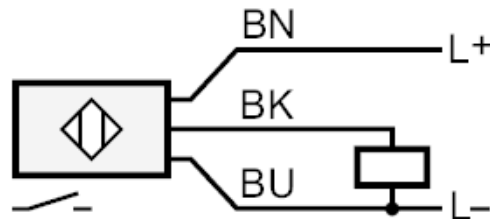
Inductive area sensor

SIT-3070-BPKG/A-PLATE

Electrical connection

Cable: 2 m, PVC; 3 x 0.5 mm²

Connection



Core colours :

BK = black
BN = brown
BU = blue