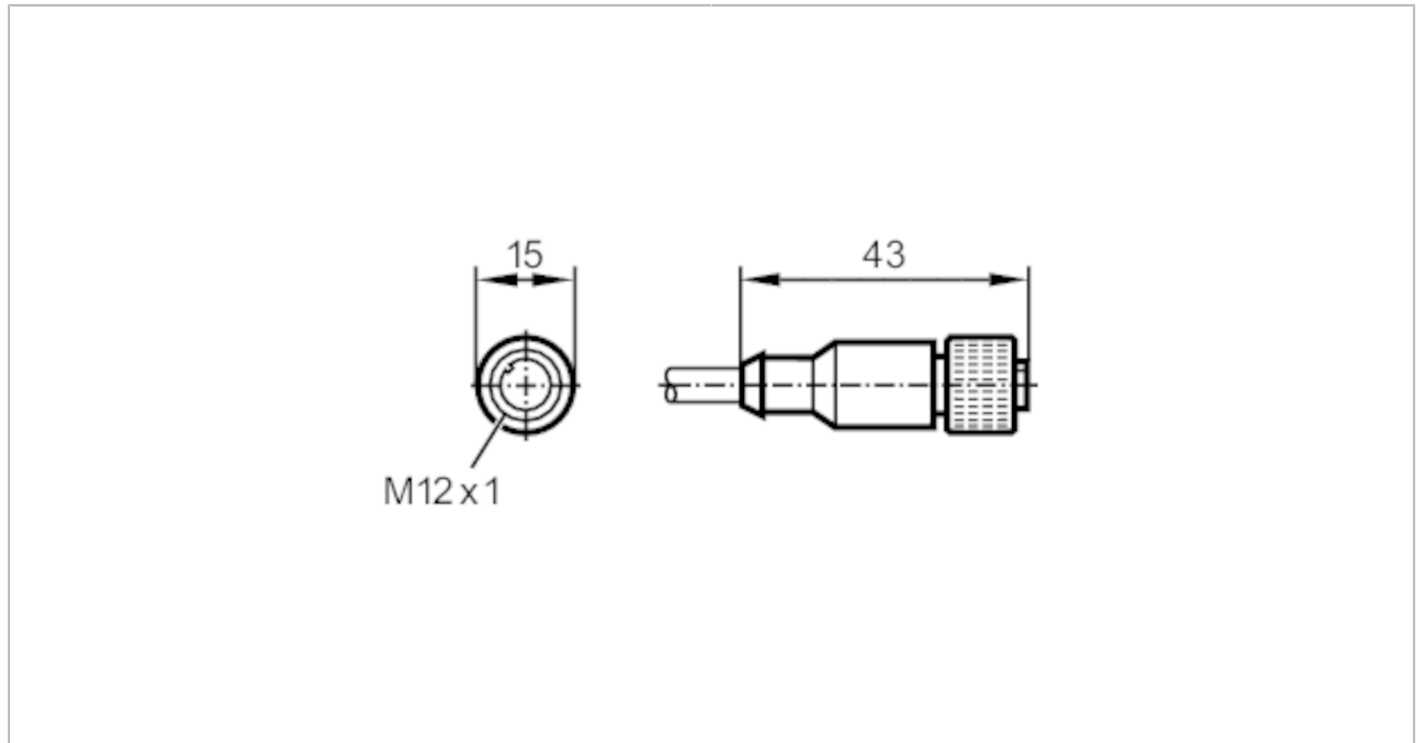


# E12167



## Connecting cable with socket

ADOGH080MSS0010B08



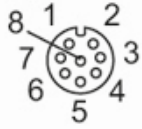
Electrical data		
Operating voltage	[V]	< 30 AC / < 36 DC
Max. current load total	[A]	2
Operating conditions		
Ambient temperature	[°C]	-40...80
Protection		IP 67
Mechanical data		
Weight	[g]	532.2
Dimensions	[mm]	15 x 15 x 43
Materials		TPU
Material nut		brass
Remarks		
Notes	For 8-pole sockets the core colours are not standardised.; Please note the wiring of the sensor and the sockets (see data sheet).	
Pack quantity		1 pcs.
Electrical connection		
Cable: 10 m, PUR, black; 8 x 0.25 mm <sup>2</sup> (32 x Ø 0.1 mm )		
Electrical connection - socket		
Connector: 1 x M12, straight; Moulded body: TPU; Locking: brass, nickel-plated; Tightening torque: 1...1.5 Nm		

# E12167



## Connecting cable with socket

ADOGH080MSS0010B08



### Connection

1	WH
2	BN
3	GN
4	YE
5	GY
6	PK
7	BU
8	RD

#### colours to DIN

47100

BN =	brown
BU =	blue
GN =	green
GY =	grey
PK =	pink
RD =	red
WH =	white
YE =	yellow

#### Core colours :