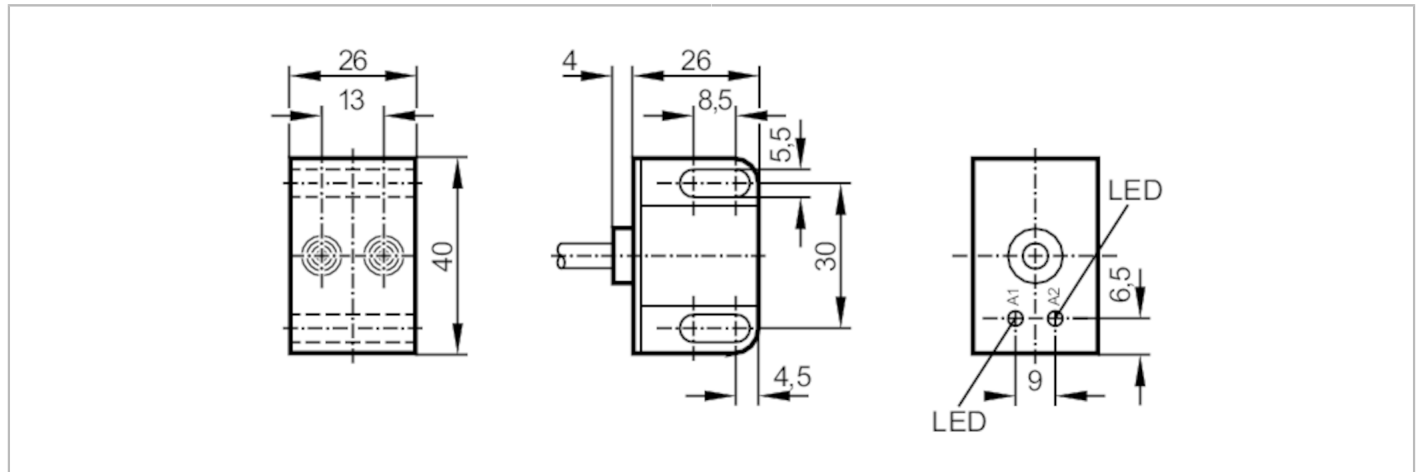


IN5377



Inductive dual sensor for valve actuators

IND3004UBPKG/0,3m/US-100-DPV



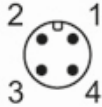
Application		
Magnetic-field immune		yes
Electrical data		
Operating voltage [V]		10...36 DC
Current consumption [mA]		< 15
Protection class		II
Reverse polarity protection		yes
Outputs		
Electrical design		PNP
Output function		2 x normally open
Max. voltage drop switching output DC [V]		2.5
Permanent current rating of switching output DC [mA]		250
Switching frequency DC [Hz]		1400
Short-circuit protection		yes
Type of short-circuit protection		pulsed
Overload protection		yes
Detection zone		
Sensing range [mm]		4
Real sensing range Sr [mm]		4 ± 10 %
Operating distance [mm]		0...3.25
Accuracy / deviations		
Correction factor		steel: 1 / stainless steel: 0.7 / brass: 0.5 / aluminium: 0.4 / copper: 0.3
Hysteresis [% of Sr]		1...15
Switch point drift [% of Sr]		-10...10
Operating conditions		
Ambient temperature [°C]		-25...80
Protection		IP 67

IN5377



Inductive dual sensor for valve actuators

IND3004UBPKG/0,3m/US-100-DPV

Tests / approvals		
EMC	EN 60947-5-2	
MTTF [years]	1070	
Mechanical data		
Weight [g]	75	
Housing	rectangular	
Mounting	non-flush mountable	
Dimensions [mm]	40 x 26 x 26	
Materials	PC	
Displays / operating elements		
Display	switching status	2 x LED, yellow
Electrical connection		
Connection	plug	
Remarks		
Pack quantity	1 pcs.	
Electrical connection - plug		
Cable: 0.3 m, PVC; 4 x 0.34 mm ²		
Connector: 1 x M12		
		

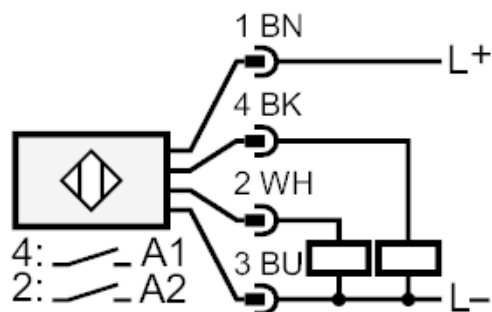
IN5377



Inductive dual sensor for valve actuators

IND3004UBPKG/0,3m/US-100-DPV

Connection



Core colours :

BN =	brown
BU =	blue
BK =	black
WH =	white