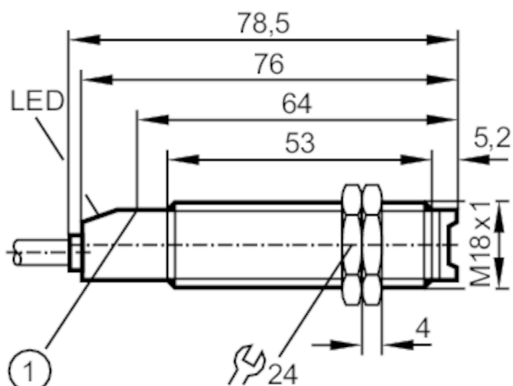




## Through-beam sensor transmitter

OGS-000A



1 pushbutton without function



### Application

Function principle Through-beam sensor

### Electrical data

|                     |      |                |
|---------------------|------|----------------|
| Frequency AC        | [Hz] | 47...63        |
| Operating voltage   | [V]  | 20...250 AC/DC |
| Current consumption | [mA] | < 5            |
| Protection class    |      | II             |
| Type of light       |      | infrared light |
| Wave length         | [nm] | 880            |

### Outputs

|                          |    |
|--------------------------|----|
| Short-circuit protection | no |
| Overload protection      | no |

### Detection zone

|                                |                  |      |
|--------------------------------|------------------|------|
| Transmitter / receiver         | transmitter      |      |
| Range                          | [m]              | < 15 |
| Range adjustable               | no               |      |
| Max. light spot diameter       | [mm]             | 2000 |
| Light spot dimensions refer to | at maximum range |      |

### Operating conditions

|                     |      |          |
|---------------------|------|----------|
| Ambient temperature | [°C] | -25...80 |
| Protection          |      | IP 67    |

### Tests / approvals

|      |              |         |
|------|--------------|---------|
| EMC  | EN 60947-5-2 | class B |
|      | EN 55011     |         |
| MTTF | [years]      | 1662    |

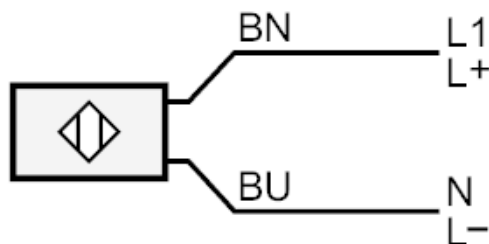
# OG0028



## Through-beam sensor transmitter

OGS-000A

| Mechanical data                          |           |                    |
|--|-----------|--------------------|
| Weight                                   | [g]       | 136.8              |
| Housing                                  |           | threaded type      |
| Dimensions                               | [mm]      | M18 x 1 / L = 78.5 |
| Thread designation                       |           | M18 x 1            |
| Materials                                |           | PBT                |
| Lens material                            |           | PMMA               |
| Displays / operating elements            |           |                    |
| Display                                  | operation | 1 x LED, green     |
| Accessories                              |           |                    |
| Accessories (supplied)                   |           | lock nuts: 2 x     |
| Remarks                                  |           |                    |
| Pack quantity                            |           | 1 pcs.             |
| Electrical connection                    |           |                    |
| Cable: 2 m, PVC; 2 x 0.5 mm <sup>2</sup> |           |                    |
| Connection                               |           |                    |



Core colours :

BN = brown  
BU = blue