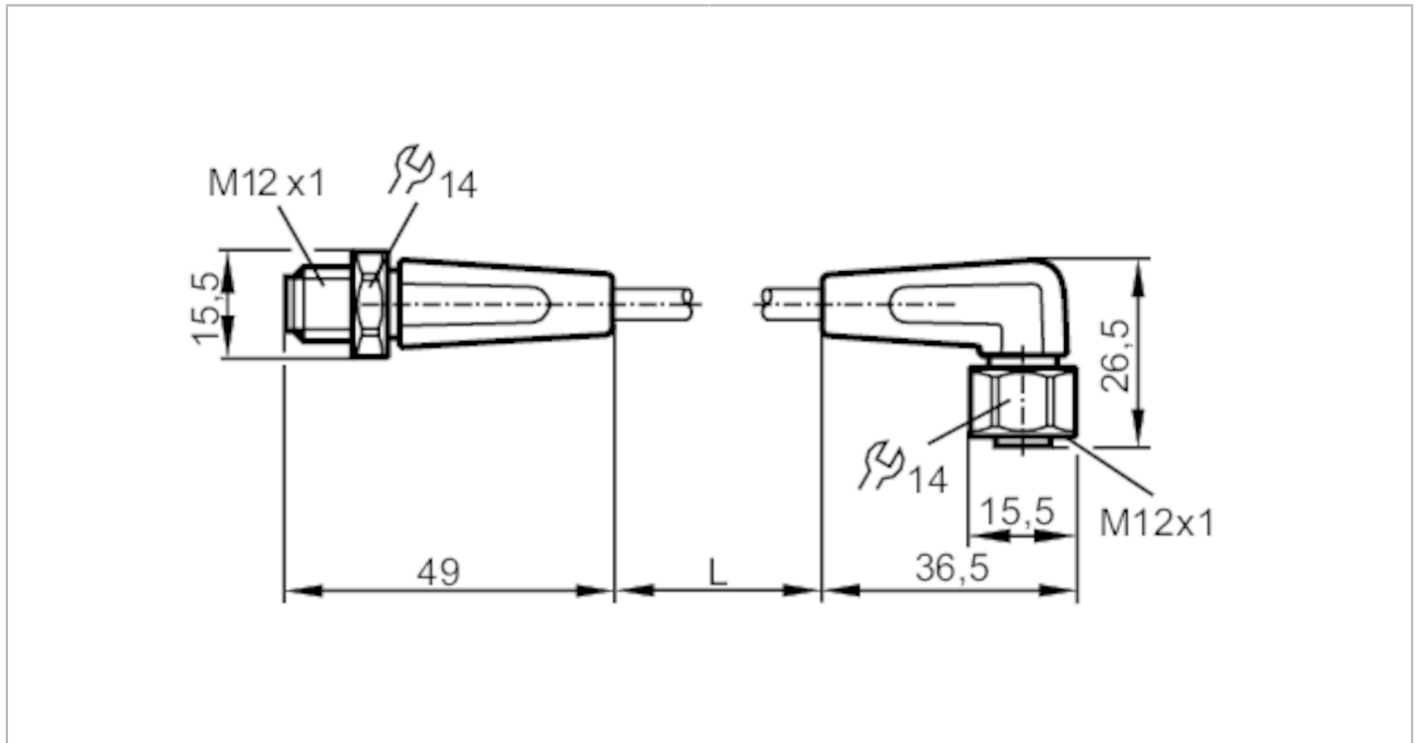


EVF051



Connection cable

VDOAH040VAS0010P04STGH040VAS



| Application | | |
|--------------------------------------|---|--|
| Application | hygienic and wet areas in the food industry | |
| Free from silicone | yes | |
| Electrical data | | |
| Operating voltage [V] | < 250 AC / < 300 DC | |
| Protection class | II | |
| Max. current load total [A] | 4 | |
| Operating conditions | | |
| Ambient temperature [°C] | -25...100 | |
| Note on ambient temperature | cULus: ...65 °C | |
| Ambient temperature (moving) [°C] | 0...100 | |
| Note on ambient temperature (moving) | cULus: ...65 °C | |
| Protection | IP 65; IP 67; IP 68; IP 69K | |
| Mechanical data | | |
| Weight [g] | 319.2 | |
| Materials | PP Halogen-free; Sealing: EPDM | |
| Material nut | stainless steel (1.4404 / 316L) / stainless steel (1.4404 / 316L) | |
| Drag chain suitability | bending radius for flexible use | min. 10 x cable diameter |
| | travel speed | max. 3.3 m/s for a horizontal travel length of 5 m and max. acceleration of 5 m/s ² |
| | bending cycles | > 1 Mio. |
| | torsional strain | ± 180 °/m |
| Drag chain suitability | yes | |

EVF051



Connection cable

VDOAH040VAS0010P04STGH040VAS

Remarks

Pack quantity

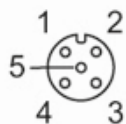
1 pcs.

Electrical connection

Cable: 10 m, MPPE, Halogen-free, grey, Ø 4.9 mm; 4 x 0.34 mm² (42 x Ø 0.1 mm)

Electrical connection - socket

Connector: 1 x M12, angled; Moulded body: PP, Halogen-free; Locking: stainless steel (1.4404 / 316L); Contacts: gold-plated; Tightening torque: 0.6...1.5 Nm



Electrical connection - plug

Connector: 1 x M12, straight; Moulded body: PP, Halogen-free; Locking: stainless steel (1.4404 / 316L); Contacts: gold-plated; Tightening torque: 0.6...1.2 Nm



Connection

