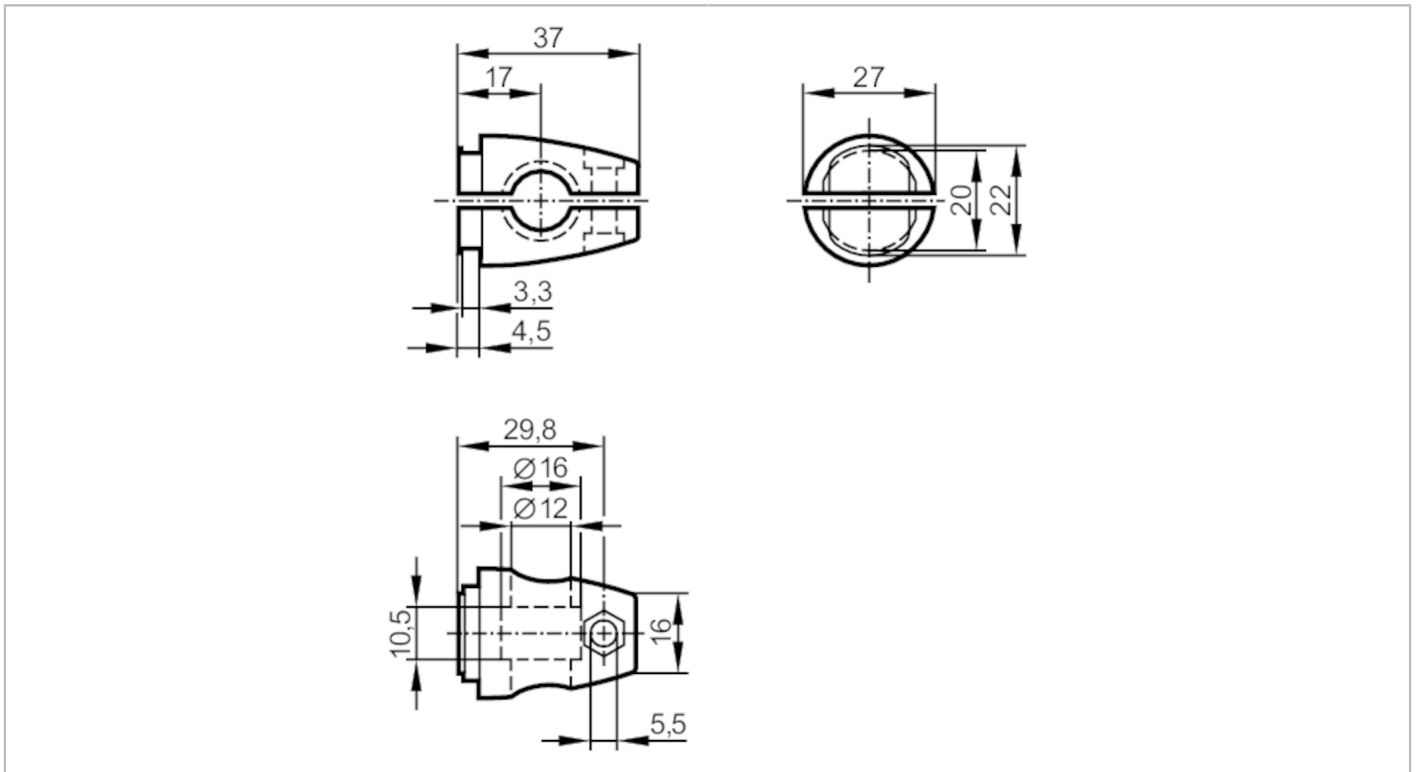


# E20946



## Mounting set for position sensors

SYSTEM COMPONENT CLAMP BOLT



### Mechanical data

Weight	[g]	146
Type of mounting		free-standing; (M10)
Dimensions	[mm]	M10
Thread designation		M10
Materials		Clamp: stainless steel (1.4408)

### Accessories

Accessories (supplied)		head cap screw: 1 x M10 x 55
------------------------	--	------------------------------

### Remarks

Pack quantity		1 pcs.
---------------	--	--------