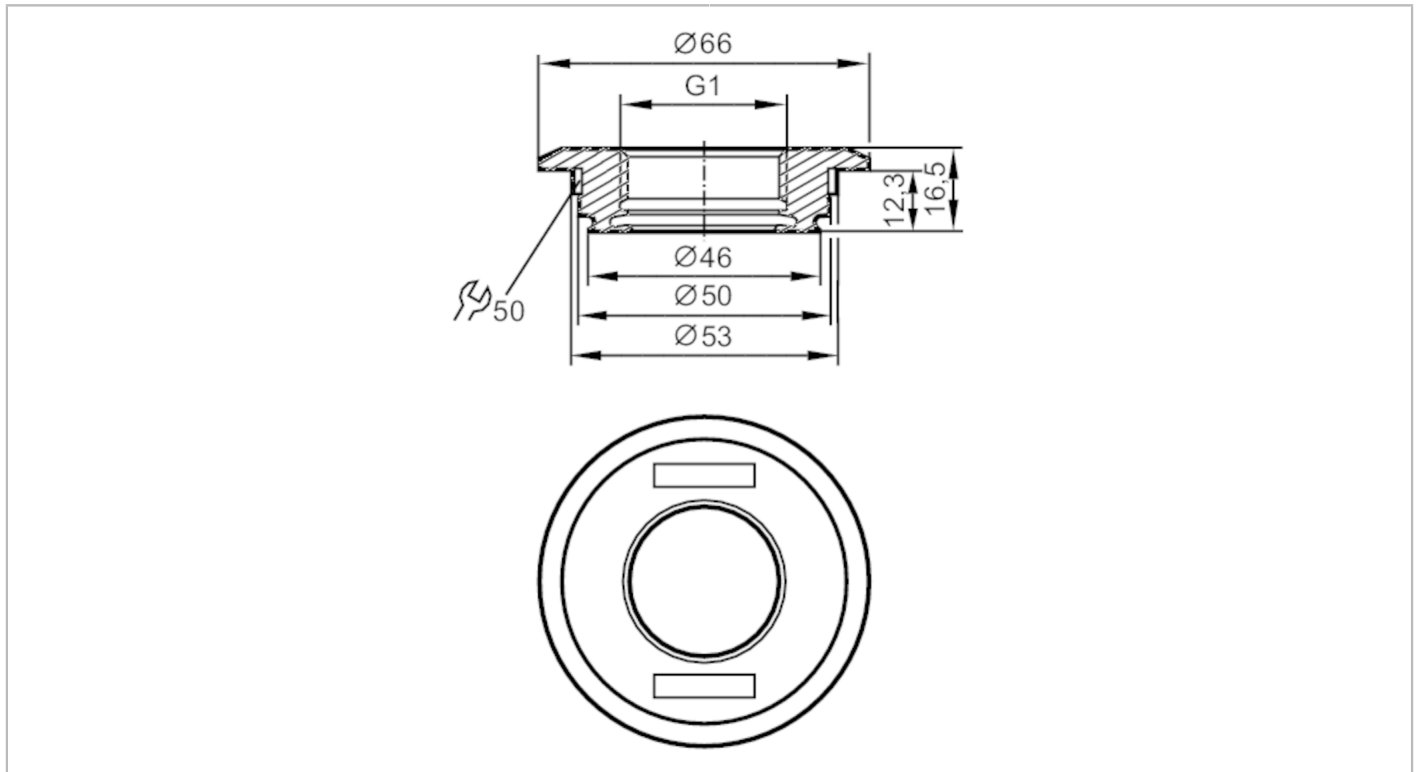


# E33221



## Process adapter Varivent

ADAPT IFM-VARIV TYP F (D=50)



EC 1935/2004 EHEDG Certified 

Application	
Pressure rating	[bar] 25
Mechanical data	
Weight	[g] 232
Materials	stainless steel (1.4435 / 316L)
Sensor connection	G 1 external thread Aseptoflex Vario
Process connection	Varivent Form F, DN25 (1"), D = 50
Surface characteristics Ra/Rz of the wetted parts	0.4 / 4
Sealing	Gasket
Hygienic equipment class to DIN 11866	H4
Accessories	
Accessories (supplied)	O-rings: 1 x 24 x 2 (EPDM), FDA compliant
Accessories (optional)	O-ring: 1 x 24 x 2 (FKM), FDA compliant, E30123 sealing ring: 1 x PEEK, FDA compliant, E30124
Remarks	
Pack quantity	1 pcs.