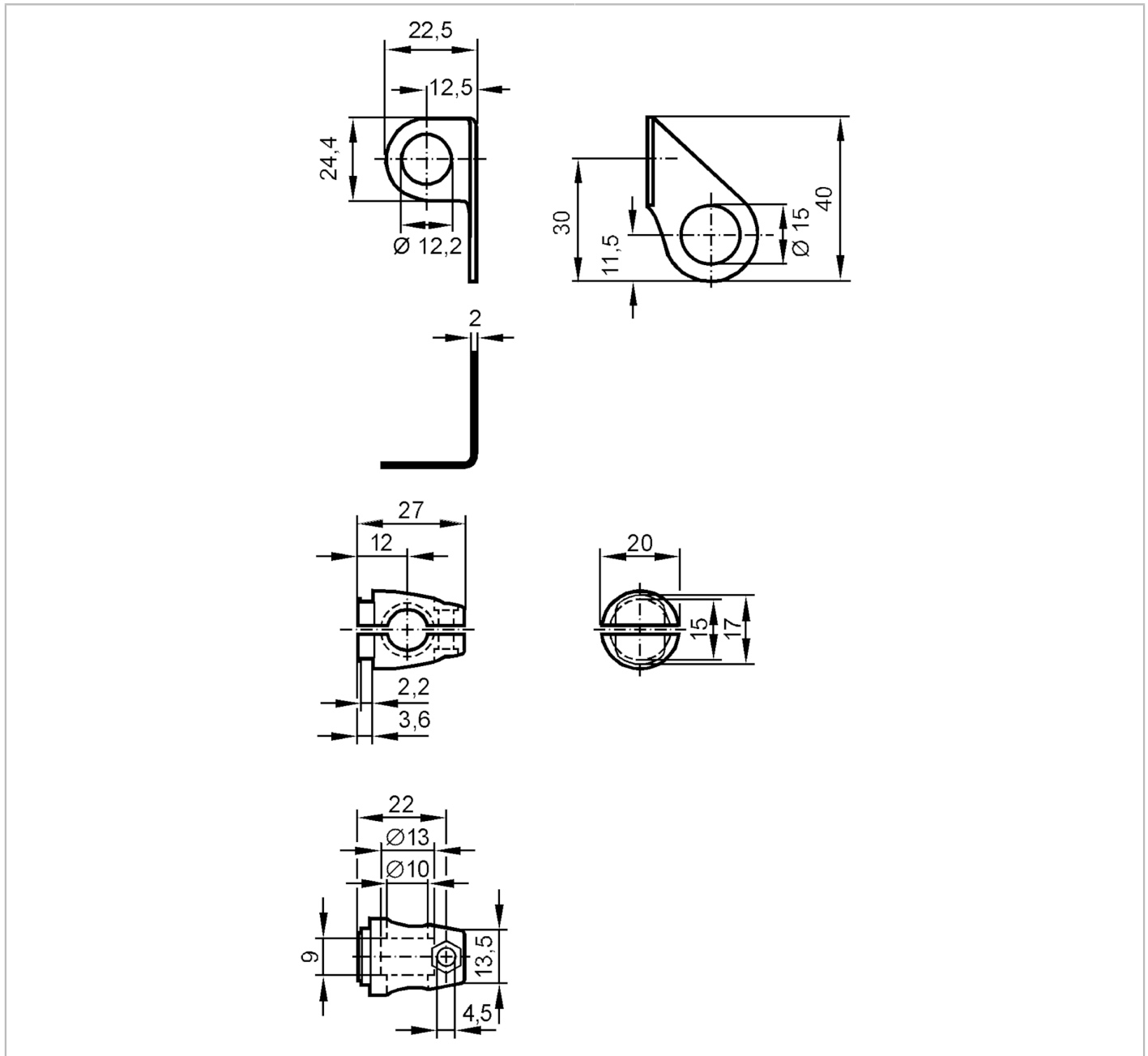


E20857



Mounting set for position sensors

SYSTEM COMPONENT M12 BOLT



Application	
Design	clamp mounting
Mechanical data	
Weight [g]	86.4
Type of mounting	free-standing; (M8)
Dimensions [mm]	$\varnothing 12.2$
Materials	fixture: stainless steel (1.4571/316Ti); Clamp: stainless steel (1.4408)
Accessories	
Accessories (supplied)	screw: 1 x M8 x 40
Remarks	
Pack quantity	1 pcs.