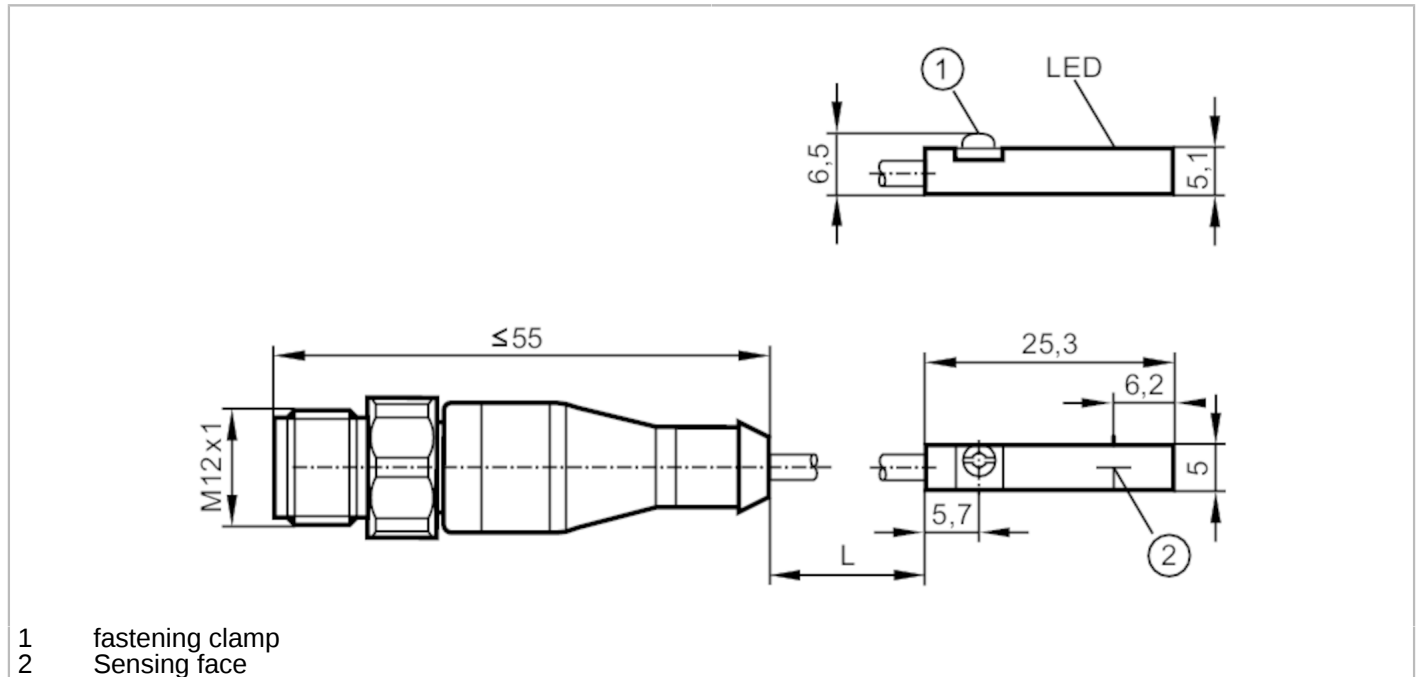


MK501A



T-slot cylinder sensor

MKT3028BBPKG/G/0,3M/ZH/US/3D



Electrical data		
Operating voltage	[V]	10...30 DC
Current consumption	[mA]	< 10
Protection class		III
Reverse polarity protection		yes
Max. power-on delay time	[ms]	30
Outputs		
Electrical design		PNP
Output function		normally open
Max. voltage drop switching output DC	[V]	2.5
Permanent current rating of switching output DC	[mA]	100
Switching frequency DC	[Hz]	10000
Short-circuit protection		yes
Overload protection		yes
Detection zone		
Response sensitivity	[mT]	2.8
Travel speed	[m/s]	> 10
Accuracy / deviations		
Hysteresis	[mm]	< 1.5
Repeatability	[mm]	< 0.2
Operating conditions		
Ambient temperature	[°C]	-25...60
Protection		IP 65; IP 67

MK501A



T-slot cylinder sensor

MKT3028BBPKG/G/0,3M/ZH/US/3D

Tests / approvals		
ATEX marking	II 3D Ex tc IIIC T125°C Dc X	
EMC	EN 61000-4-2 ESD	- CD / 8 kV AD
	EN 61000-4-3 HF radiated	10 V/m
	EN 61000-4-4 Burst	2 kV
	EN 61000-4-6 HF conducted	10 V
	EN 55011	class B
MTTF [years]	3694	

Mechanical data	
Weight [g]	52.2
Mounting	flush mountable
Type of mounting	fastening clamp with combined slot / hexagon socket, width across flats 1.5
Cylinder type	T-slot cylinders; (adapters allow mounting to different cylinder types)
Dimensions [mm]	25 x 5 x 6.5
Materials	PA; stainless steel
Material nut	stainless steel

Displays / operating elements		
Display	switching status	1 x LED, yellow

Electrical connection	
Connection	plug

Accessories	
Accessories (supplied)	rubber placeholder: 1
	Cable clip: 1
	Protective cover: 1 x T-Nut, E12259

Remarks	
Pack quantity	1 pcs.

Electrical connection - plug

Cable: 0.3 m, PUR

Connector: 1 x M12; Locking: Hexagon nut, rotatable, stainless steel



MK501A

T-slot cylinder sensor

MKT3028BBPKG/G/0,3M/ZH/US/3D



Connection

