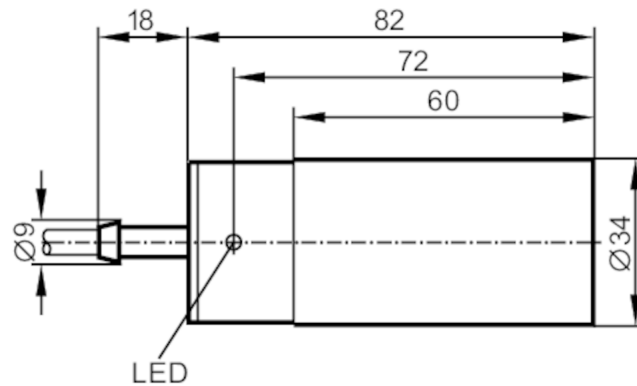


# IB5068



## Inductive sensor

IB-3020-APKG



| Electrical data                                 |           |   |
|---|-----------|---|
| Operating voltage                               | [V]       | 10...36 DC  |
| Current consumption                             | [mA]      | 15; (24 V)  |
| Protection class                                |           | II  |
| Reverse polarity protection                     |           | yes   |
| Outputs   |           |   |
| Electrical design                               |           | PNP   |
| Output function                                 |           | normally closed   |
| Max. voltage drop switching output DC           | [V]       | 2.5   |
| Permanent current rating of switching output DC | [mA]      | 250   |
| Switching frequency DC                          | [Hz]      | 60  |
| Short-circuit protection                        |           | yes   |
| Type of short-circuit protection                |           | pulsed  |
| Overload protection                             |           | yes   |
| Detection zone                                  |           |   |
| Sensing range                                   | [mm]      | 20  |
| Real sensing range Sr                           | [mm]      | 20 ± 10 %   |
| Operating distance                              | [mm]      | 0...16.2  |
| Accuracy / deviations                           |           |   |
| Correction factor                               |           | steel: 1 / stainless steel: 0.7 / brass: 0.4 / aluminium: 0.3 / copper: 0.2 |
| Hysteresis                                      | [% of Sr] | 1...15  |
| Switch point drift                              | [% of Sr] | -10...10  |
| Operating conditions                            |           |   |
| Ambient temperature                             | [°C]      | -25...80  |
| Protection                                      |           | IP 67   |

# IB5068



## Inductive sensor

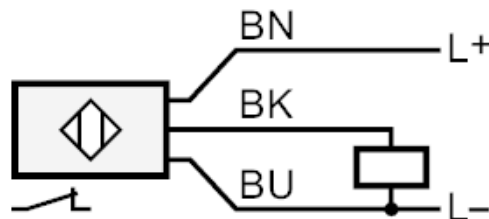
IB-3020-APKG

| Tests / approvals             |                  |                     |
|-------------------------------|------------------|---------------------|
| EMC                           |                  | EN 60947-5-2        |
| MTTF                          | [years]          | 1844                |
| Mechanical data               |                  |                     |
| Weight                        | [g]              | 264.8               |
| Housing                       |                  | cylindrical         |
| Mounting                      |                  | non-flush mountable |
| Dimensions                    | [mm]             | Ø 34 / L = 82       |
| Materials                     |                  | PBT                 |
| Displays / operating elements |                  |                     |
| Display                       | switching status | 1 x LED, yellow     |
| Accessories                   |                  |                     |
| Accessories (supplied)        |                  | Mounting clamps: 1  |
| Remarks                       |                  |                     |
| Pack quantity                 |                  | 1 pcs.              |

### Electrical connection

Cable: 2 m, PVC; 3 x 0.5 mm<sup>2</sup>

### Connection



Core colours :

BN = brown  
BU = blue  
BK = black