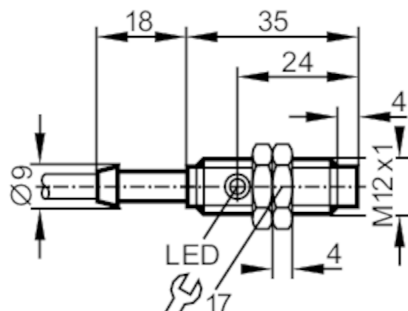


# IF5252



## Inductive sensor

IFB3004-BNKG



| Electrical data                                 |           |   |
|---|-----------|---|
| Operating voltage                               | [V]       | 10...36 DC  |
| Current consumption                             | [mA]      | 15; (24 V)  |
| Protection class                                |           | II  |
| Reverse polarity protection                     |           | yes   |
| Outputs   |           |   |
| Electrical design                               |           | NPN   |
| Output function                                 |           | normally closed   |
| Max. voltage drop switching output DC           | [V]       | 2.5   |
| Permanent current rating of switching output DC | [mA]      | 250   |
| Switching frequency DC                          | [Hz]      | 1400  |
| Short-circuit protection                        |           | yes   |
| Type of short-circuit protection                |           | pulsed  |
| Overload protection                             |           | yes   |
| Detection zone                                  |           |   |
| Sensing range                                   | [mm]      | 4   |
| Real sensing range Sr                           | [mm]      | 4 ± 10 %  |
| Operating distance                              | [mm]      | 0...3.25  |
| Accuracy / deviations                           |           |   |
| Correction factor                               |           | steel: 1 / stainless steel: 0.7 / brass: 0.4 / aluminium: 0.3 / copper: 0.2 |
| Hysteresis                                      | [% of Sr] | 1...15  |
| Switch point drift                              | [% of Sr] | -10...10  |
| Operating conditions                            |           |   |
| Ambient temperature                             | [°C]      | -25...80  |
| Protection                                      |           | IP 67   |
| Tests / approvals                               |           |   |
| EMC   |           | EN 60947-5-2  |
|   |           | EN 55011 class B  |
| MTTF  | [years]   | 2439  |

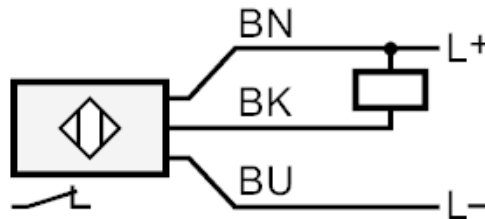
# IF5252



## Inductive sensor

IFB3004-BNKG

| Mechanical data                           |                  |                         |
|---|------------------|-------------------------|
| Weight                                    | [g]              | 95.6                    |
| Housing                                   |                  | threaded type           |
| Mounting                                  |                  | non-flush mountable     |
| Dimensions                                | [mm]             | M12 x 1 / L = 35        |
| Thread designation                        |                  | M12 x 1                 |
| Materials                                 |                  | brass nickel-plated; PC |
| Displays / operating elements             |                  |                         |
| Display                                   | switching status | 1 x LED, yellow         |
| Accessories                               |                  |                         |
| Accessories (supplied)                    |                  | lock nuts: 2            |
| Remarks                                   |                  |                         |
| Pack quantity                             |                  | 1 pcs.                  |
| Electrical connection                     |                  |                         |
| Cable: 2 m, PVC; 3 x 0.34 mm <sup>2</sup> |                  |                         |
| Connection                                |                  |                         |



Core colours :

|      |       |
|------|-------|
| BK = | black |
| BN = | brown |
| BU = | blue  |