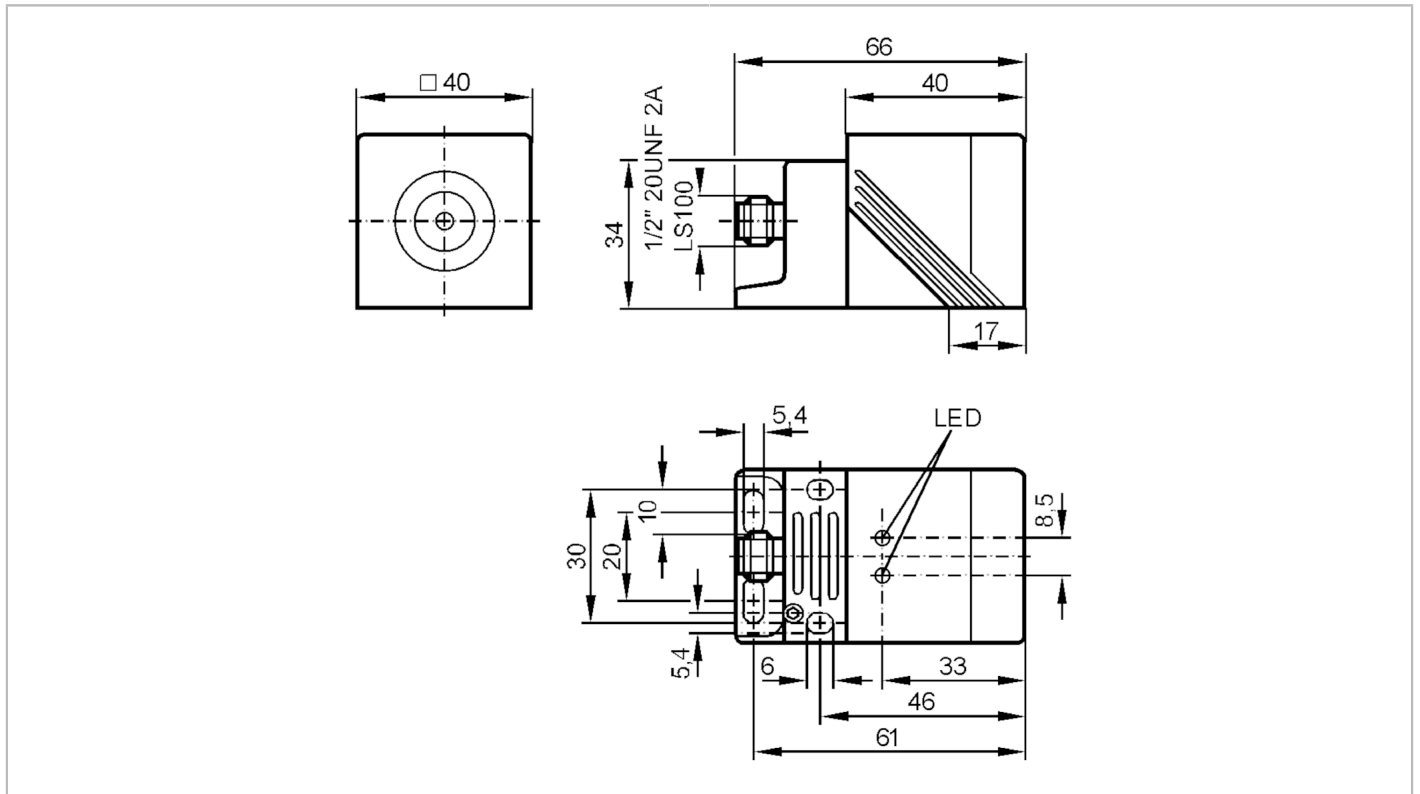


# IM0055



## Inductive sensor

IMC2020BARKA/LS-100AK RT



### Electrical data

Frequency AC	[Hz]	47...63
Operating voltage	[V]	20...140 AC / 10...140 DC
Protection class		I
Reverse polarity protection		yes

# IM0055



## Inductive sensor

IMC2020BARKA/LS-100AK RT

Outputs		
Output function	normally open	
Max. voltage drop switching output DC [V]	5.5	
Max. voltage drop switching output AC [V]	5.5	
Minimum load current [mA]	5.5	
Max. leakage current [mA]	1.7 (140 V AC/DC)	
Permanent current rating of switching output AC [mA]	450	
Permanent current rating of switching output DC [mA]	450	
Short-time current rating of switching output [mA]	2200; (20 ms / 0,5 Hz)	
Switching frequency AC [Hz]	25	
Switching frequency DC [Hz]	100	
Short-circuit protection	yes	
Type of short-circuit protection	pulsed	
Overload protection	yes	
Detection zone		
Sensing range [mm]	20	
Real sensing range Sr [mm]	20 ± 10 %	
Operating distance [mm]	0...16.2	
Accuracy / deviations		
Correction factor	steel: 1 / stainless steel: 0.7 / brass: 0.4 / aluminium: 0.4 / copper: 0.3	
Hysteresis [% of Sr]	3...20	
Switch point drift [% of Sr]	-10...10	
Operating conditions		
Ambient temperature [°C]	-25...70	
Protection	IP 67	
Tests / approvals		
EMC	EN 60947-5-2	
MTTF [years]	351	
UL approval	Ta	0...40 °C
	Enclosure type	Type 1
	voltage supply	Unlimited Voltage
	File number UL	E174191
Mechanical data		
Weight [g]	259.4	
Housing	rectangular	
Mounting	flush mountable	
Dimensions [mm]	40 x 40 x 66	
Materials	housing: PPE; sensing face: PPE; end cap: diecast zinc; connector housing: brass white bronze coated; clamp: diecast zinc	

# IM0055



## Inductive sensor

IMC2020BARKA/LS-100AK RT

### Displays / operating elements

Display	switching status	1 x LED, red
	operation	1 x LED, green
	short circuit	1 x LED, green/red alternately flashing

### Remarks

Remarks	5 positions of the active zone possible
Pack quantity	1 pcs.

### Electrical connection - plug

Connector: 1 x 1/2"

