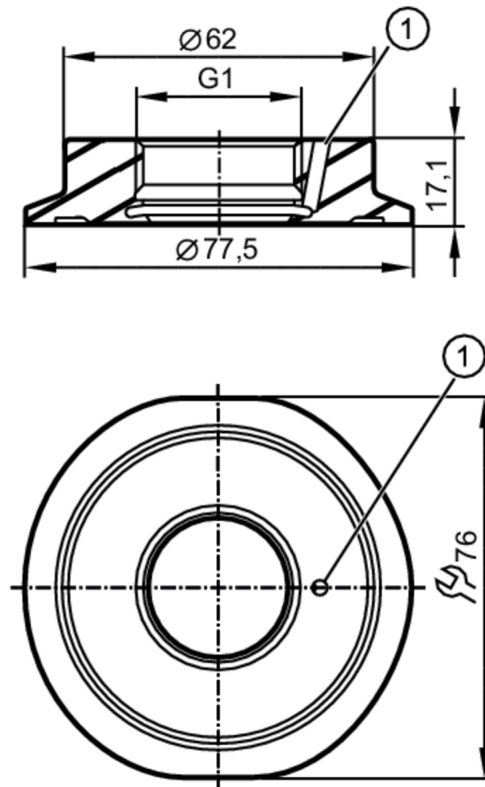


# E33309



## Process adapter Tri-Clamp

ADAPT DIN11864-3-A-BKS-A/DN50



1 Leakage port



EC 1935/2004 EHEDG Certified FDA

Application	
Design	with leakage port
Pressure rating [bar]	25
Mechanical data	
Weight [g]	374.6
Materials	stainless steel (1.4435 / 316L)
Sensor connection	G 1 external thread Aseptoflex Vario
Process connection	Clamp DN50 DIN 11864-3-A-BKS
Surface characteristics Ra/Rz of the wetted parts	0.4 / 4
Sealing	Gasket
Accessories	
Accessories (supplied)	O-rings: 1 x 24 x 2 (EPDM), FDA compliant
Accessories (optional)	O-ring: 1 x 24 x 2 (FPM), FDA compliant, E30123 sealing ring: 1 x PEEK, FDA compliant, E30124
Remarks	
Pack quantity	1 pcs.