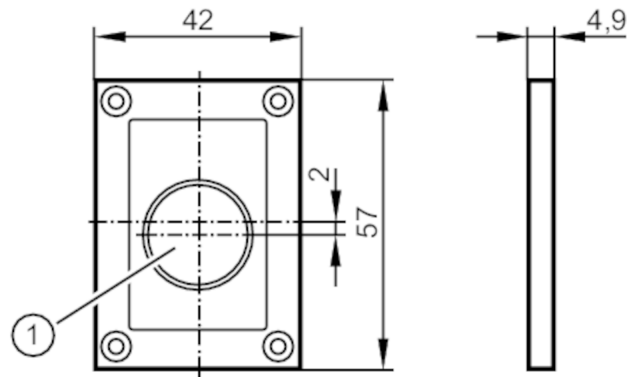


E21169



Protective pane for vision sensors

LASERPROTECTION WINDOW DUALIS



1 filter

Mechanical data

Weight	[g]	41.8
Dimensions	[mm]	57 x 42 x 4.9
Materials	housing: diecast zinc black; lens: PMMA; filter: polycarbonate (880-1064 DIR L5 to EN 207)	

Remarks

Pack quantity	1 pcs.
---------------	--------