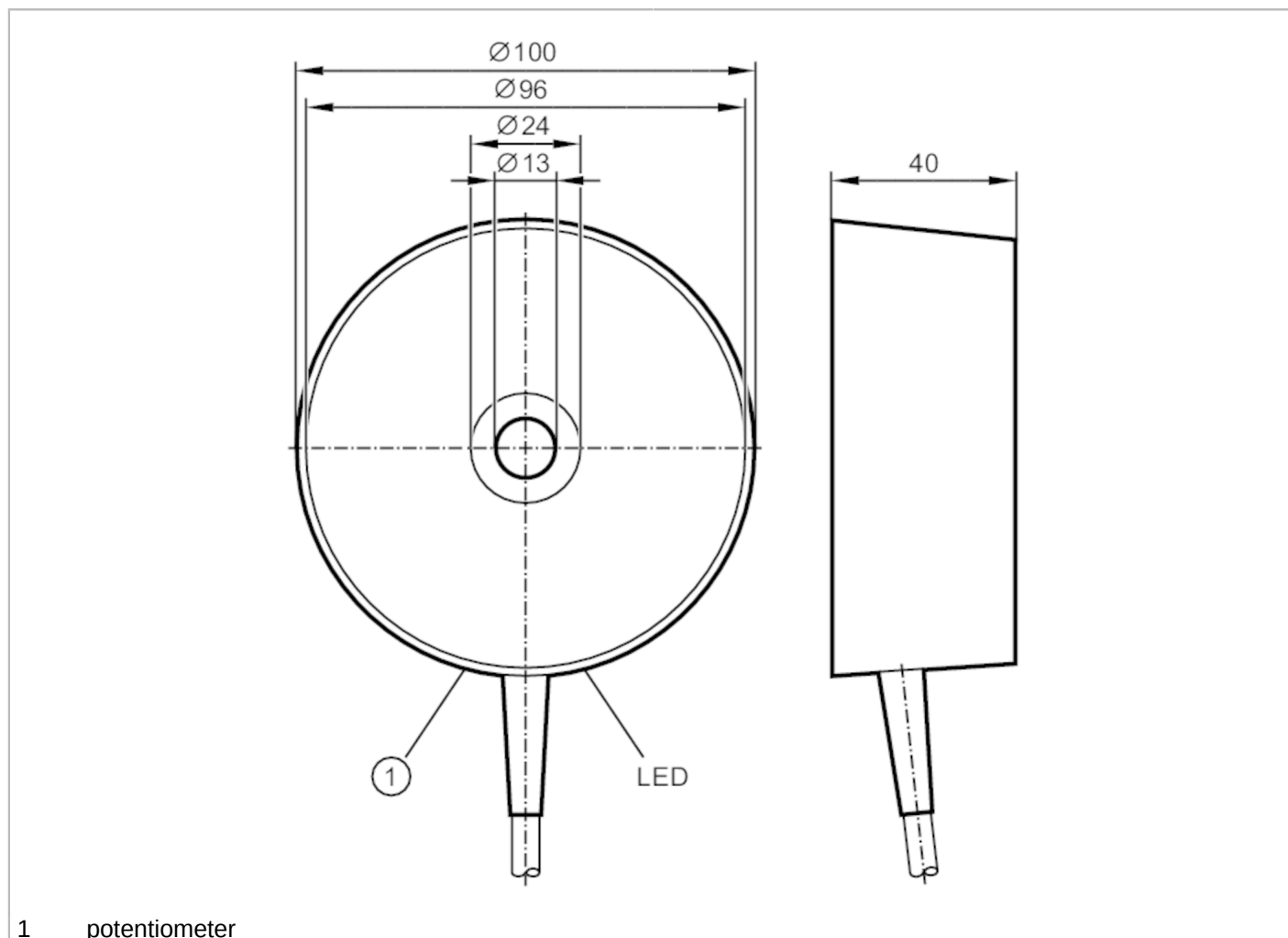


I12001



Inductive area sensor

SIT-2070-ABOW



1 potentiometer



Electrical data

| | | |
|-----------------------------|------|-------------|
| Frequency AC | [Hz] | 47...63 |
| Operating voltage | [V] | 90...250 AC |
| Protection class | | II |
| Reverse polarity protection | | no |

Outputs

| | | |
|---|------|------------------------|
| Output function | | normally open |
| Max. voltage drop switching output AC | [V] | 11 |
| Minimum load current | [mA] | 15 |
| Max. leakage current | [mA] | 6 |
| Permanent current rating of switching output AC | [mA] | 200; (250 (...50 °C)) |
| Short-time current rating of switching output | [mA] | 1500; (10 ms / 0,5 Hz) |
| Switching frequency AC | [Hz] | 5 |
| Short-circuit proof | | no |
| Overload protection | | no |

I12001



Inductive area sensor

SIT-2070-ABOW

| Detection zone | | |
|-------------------------------|------------------|---|
| Sensing range | [mm] | 20...70 |
| Sensing range adjustable | | yes |
| Factory setting sensing range | [mm] | 70 |
| Real sensing range Sr | [mm] | 70 ± 10 % |
| Accuracy / deviations | | |
| Correction factor | | steel: 1 / stainless steel: 0.7 / brass: 0.4 / aluminium: 0.3 / copper: 0.2 |
| Hysteresis | [% of Sr] | < 15 |
| Switch point drift | [% of Sr] | -15...15 |
| Operating conditions | | |
| Ambient temperature | [°C] | -20...70 |
| Protection | | IP 65 |
| Tests / approvals | | |
| EMC | EN 60947-5-2 | |
| | EN 55011 | class B |
| Mechanical data | | |
| Weight | [g] | 490.8 |
| Housing | | cylindrical |
| Mounting | | non-flush mountable |
| Dimensions | [mm] | Ø 100 |
| Materials | | PBT |
| Displays / operating elements | | |
| Display | switching status | 1 x LED, yellow |
| Electrical connection | | |
| Required protection | | miniature fuse to IEC60127-2 sheet 1; ≤ 2 A; fast acting |
| Accessories | | |
| Accessories (supplied) | | screws: 1 |
| Remarks | | |
| Remarks | | Recommendation: Check the safe functioning of the unit after a short circuit. |
| Pack quantity | | 1 pcs. |

I12001



Inductive area sensor

SIT-2070-ABOW

Electrical connection

Cable: 2 m, PVC; 2 x 0.5 mm²

Connection



Note miniature fuse to IEC60127-2 sheet 1 \leq 2 A fast acting

Core colours :

BN = brown

BU = blue