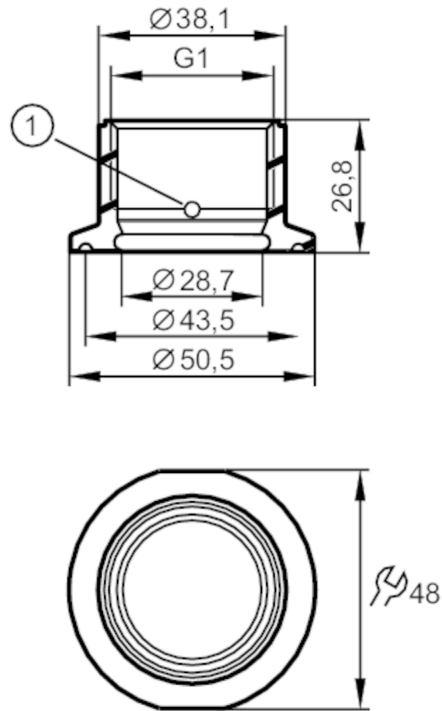


E33602



Process adapter Tri-Clamp

ADAPT G1-CLAMP ISO2852/1-1.5



1: Leakage port



EC 1935/2004 FDA

Application	
Pressure rating	[bar] 100
Mechanical data	
Weight	[g] 156
Materials	stainless steel (1.4435 / 316L)
Sensor connection	G 1
Process connection	Clamp 1-1,5" ISO 2852
Surface characteristics Ra/Rz of the wetted parts	0.4 / 4
Sealing	Gasket
Hygienic equipment class to DIN 11866	H4
Accessories	
Accessories (supplied)	O-ring 26 x 3 (EPDM), FDA compliant, E30438 O-ring 26 x 3 (FKM), FDA compliant, E30437
Remarks	
Pack quantity	1 pcs.