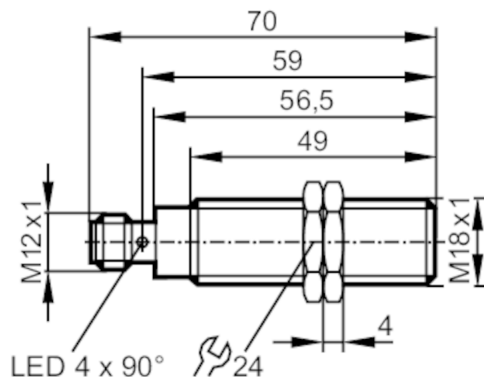


# IGT205



## Inductive sensor

IGKC008BASKG/MV4A/US-104-DRS



| Electrical data                                 |           |   |
|---|-----------|---|
| Operating voltage                               | [V]       | 10...36 DC  |
| Protection class                                |           | II  |
| Reverse polarity protection                     |           | yes   |
| Outputs   |           |   |
| Electrical design                               |           | PNP/NPN   |
| Output function                                 |           | normally open   |
| Max. voltage drop switching output DC           | [V]       | 2.8   |
| Minimum load current                            | [mA]      | 2; (only in 2-wire operation)   |
| Max. leakage current                            | [mA]      | 0.5; (only in 2-wire operation)   |
| Permanent current rating of switching output DC | [mA]      | 100   |
| Switching frequency DC                          | [Hz]      | 400   |
| Short-circuit protection                        |           | yes   |
| Type of short-circuit protection                |           | pulsed  |
| Overload protection                             |           | yes   |
| Detection zone                                  |           |   |
| Sensing range                                   | [mm]      | 8   |
| Operating distance                              | [mm]      | 0...6.48  |
| Increased sensing range                         |           | yes   |
| Accuracy / deviations                           |           |   |
| Correction factor                               |           | steel: 1 / stainless steel: 0.8 / brass: 0.5 / aluminium: 0.4 / copper: 0.3 |
| Hysteresis                                      | [% of Sr] | 1...20  |
| Operating conditions                            |           |   |
| Ambient temperature                             | [°C]      | 0...100   |
| Protection                                      |           | IP 68; IP 69K; ("COP")  |

# IGT205



## Inductive sensor

IGKC008BASKG/MV4A/US-104-DRS

| Tests / approvals |                           |                                |
|-------------------|---------------------------|--------------------------------|
| EMC               | EN 61000-4-2 ESD          | 4 kV CD / 8 kV AD              |
|                   | EN 61000-4-3 HF radiated  | 10 V/m                         |
|                   | EN 61000-4-4 Burst        | 2 kV                           |
|                   | EN 61000-4-5 Surge        | 0,5 kV line to line, Ri: 2 Ohm |
|                   | EN 61000-4-6 HF conducted | 10 V                           |
|                   | EN 55011                  | class B                        |
| MTTF              | [years]                   | 1418                           |
| UL approval       | Ta                        | 0...40 °C                      |
|                   | Enclosure type            | Type 1                         |
|                   | voltage supply            | Limited Voltage/Current        |
|                   | File number UL            | E174191                        |

| Mechanical data    |      |   |
|--------------------|------|---|
| Weight             | [g]  | 55.8  |
| Housing            |      | threaded type   |
| Mounting           |      | flush mountable   |
| Dimensions         | [mm] | M18 x 1 / L = 70  |
| Thread designation |      | M18 x 1   |
| Materials          |      | threaded sleeve: stainless steel (1.4404 / 316L);<br>sensing face: PEEK; lock nuts: stainless steel |

| Displays / operating elements |                  |                     |
|-------------------------------|------------------|---------------------|
| Display                       | switching status | 4 x 90° LED, yellow |
|                               | setting aid      | 1 x LED, red        |
| Optical setting aid           |                  | yes                 |

| Accessories            |  |              |
|------------------------|--|--------------|
| Accessories (supplied) |  | lock nuts: 2 |

| Remarks       |  |        |
|---------------|--|--------|
| Pack quantity |  | 1 pcs. |

### Electrical connection - plug

Connector: 1 x M12; Contacts: gold-plated



# IGT205



## Inductive sensor

IGKC008BASKG/M/V4A/US-104-DRS

### 2-wire

