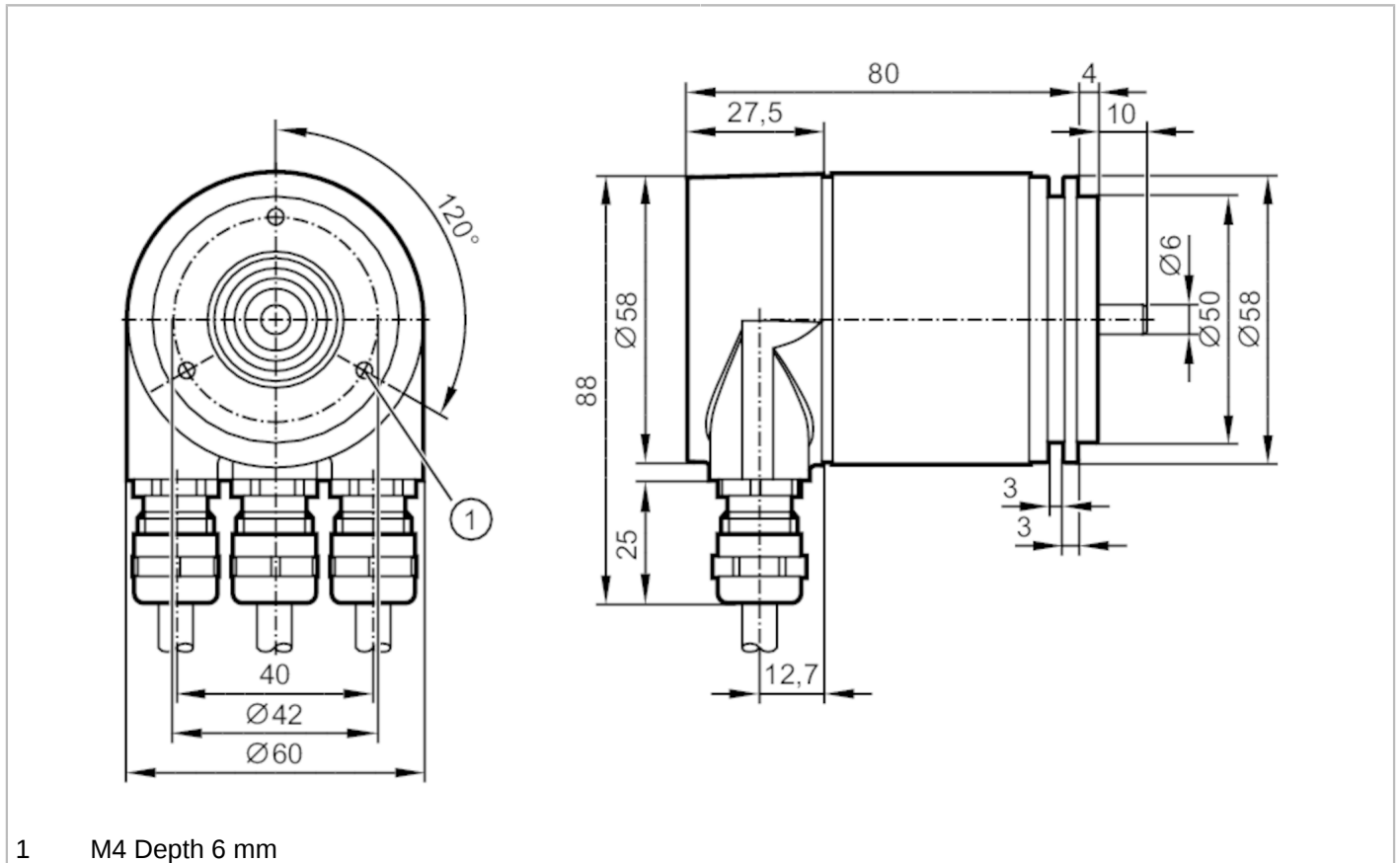


RM7011



Absolute multiturn encoder with solid shaft

RMS0025-C24/E



Application	
Function principle	absolute
Revolution type	multiturn
Electrical data	
Operating voltage [V]	10...30 DC
Current consumption [mA]	230; ((10 V DC); 100 (24 V DC))
Reverse polarity protection	yes
Outputs	
Code	binary
Measuring/setting range	
Resolution	8192 steps; 4096 revolutions; 25 bit
Software / programming	
Parameter setting options	CAN parameter; scaling; preset; Baud rate; direction of rotation; Node ID
Addressing	address selector switch; 0...126
Interfaces	
Communication interface	CAN
CAN	
Protocol	CANopen; DSP - 406 V3.1; DS 301 V4.02; DS 306 V2.0
Factory settings	Baud rate: 125 k Node ID: 32

RM7011



Absolute multiturn encoder with solid shaft

RMS0025-C24/E

Operating conditions		
Ambient temperature	[°C]	-40...85
Max. relative air humidity	[%]	98
Protection		IP 65; (on the housing: IP 65; on the shaft: IP 64)
Tests / approvals		
Shock resistance		100 g (6 ms)
Vibration resistance		10 g (10...1000 Hz)
MTTF	[years]	13
Mechanical data		
Weight	[g]	624.6
Dimensions	[mm]	Ø 58 / L = 94
Materials		aluminium
Max. revolution, mechanical	[U/min]	6000
Shaft design		solid shaft
Shaft diameter	[mm]	6
Shaft material		steel (1.4104)
Max. shaft load axial (at the shaft end)	[N]	40
Max. shaft load radial (at the shaft end)	[N]	110
Fixing flange		synchro-flange
Displays / operating elements		
Display	Preoperational mode	LED, green flashing
	Operational mode	LED, green
	error message	LED, red flashing
Electrical connection		
terminal strip in the terminal chamber:		