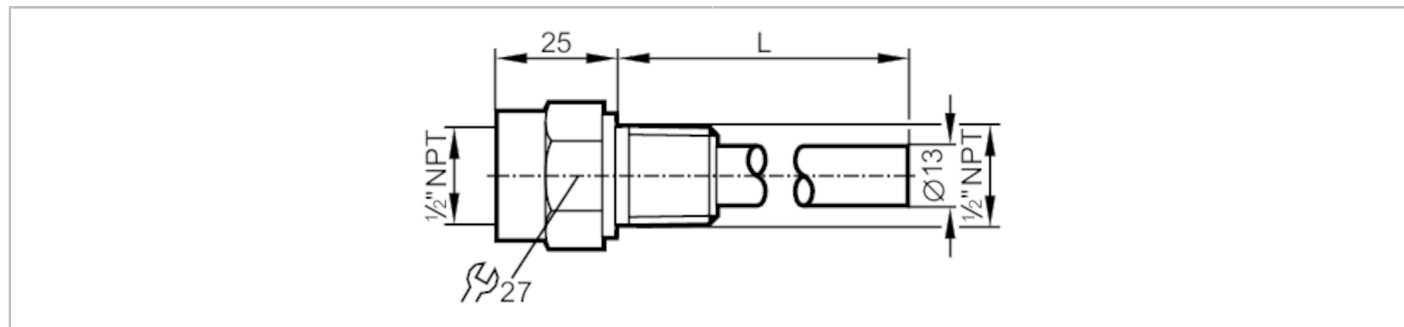


E35150



Thermowell for temperature sensors

THERMOWELL D10/NPT1/2/L=500



Application	
Pressure rating [bar]	16
Measuring/setting range	
Probe length L [mm]	472
Mechanical data	
Weight [g]	252
Materials	stainless steel (1.4571/316Ti)
Sensor connection	1/2 NPT Ø 10 mm
Process connection	1/2 NPT
Remarks	
Pack quantity	1 pcs.