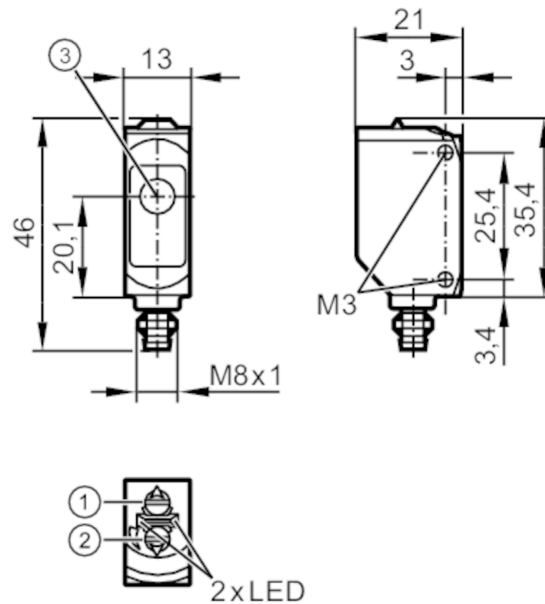


O6E215



Through-beam sensor receiver

O6EIFPKG/AS/4P



- 1 output function switch
- 2 potentiometer sensitivity
- 3 Light incidence



Application

Function principle Through-beam sensor

Electrical data

Operating voltage	[V]	10...30 DC
Current consumption	[mA]	7; ((24 V))
Protection class		III
Reverse polarity protection		yes
Type of light		infrared light
Wave length	[nm]	850

Outputs

Electrical design		PNP
Output function		light-on/dark-on mode; (selectable)
Max. voltage drop switching output DC	[V]	2.5
Permanent current rating of switching output DC	[mA]	100
Switching frequency DC	[Hz]	1000
Short-circuit protection		yes
Type of short-circuit protection		pulsed

O6E215



Through-beam sensor receiver

O6EIFPKG/AS/4P

Detection zone		
Transmitter / receiver		receiver
Range [m]		< 15
Range adjustable		yes
Operating conditions		
Ambient temperature [°C]		-25...60
Protection		IP 65; IP 67
Tests / approvals		
EMC	EN 60947-5-2	
MTTF [years]		956
UL approval	UL Approval no.	E001
Mechanical data		
Weight [g]		19.2
Housing		rectangular
Dimensions [mm]		46 x 13 x 21
Materials	housing: ABS; PPSU; connector thread: metal coated; Sealing: EPDM	
Lens material		PMMA
Lens alignment		side lens
Material nut		metal
Tightening torque [Nm]		0.5
Displays / operating elements		
Display	switching status	1 x LED, yellow
	operation	1 x LED, green
Remarks		
Remarks	operating voltage "supply class 2" according to cULus	
Pack quantity	1 pcs.	
Electrical connection		

Connector: 1 x M8; Locking: metal, coated

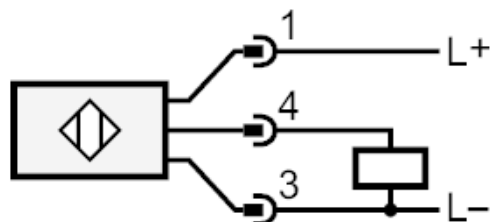




Through-beam sensor receiver

O6EIFPKG/AS/4P

Connection



Diagrams and graphs

excess gain graph

