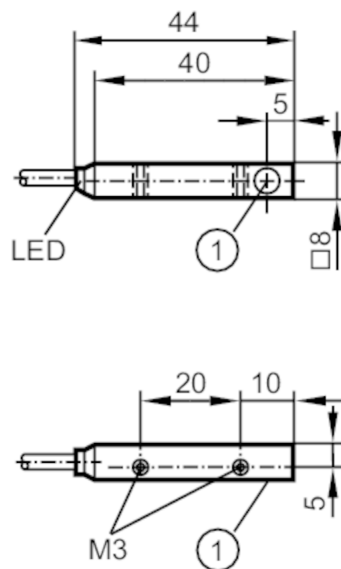


# IL5026



## Inductive sensor

ILA3002-BPKG/OBEN/4M/PH RT



1 Sensing face



### Electrical data

Operating voltage	[V]	10...36 DC
Current consumption	[mA]	15; (24 V)
Protection class		III
Reverse polarity protection		yes

### Outputs

Electrical design		PNP
Output function		normally open
Max. voltage drop switching output DC	[V]	2.5
Permanent current rating of switching output DC	[mA]	250
Switching frequency DC	[Hz]	2000
Short-circuit protection		yes
Type of short-circuit protection		pulsed
Overload protection		yes

### Detection zone

Sensing range	[mm]	2
Real sensing range Sr	[mm]	2 ± 10 %
Operating distance	[mm]	0...1.6

### Accuracy / deviations

Correction factor		steel: 1 / stainless steel: 0.7 / brass: 0.5 / aluminium: 0.4 / copper: 0.3
Hysteresis	[% of Sr]	1...15
Switch point drift	[% of Sr]	-10...10

# IL5026



## Inductive sensor

ILA3002-BPKG/OBEN/4M/PH RT

Operating conditions		
Ambient temperature	[°C]	-25...70
Protection		IP 65
Tests / approvals		
EMC	EN 61000-4-2 ESD	4 kV CD / 8 kV AD
	EN 61000-4-3 HF radiated	3 V/m
	EN 61000-4-4 Burst	2 kV
	EN 61000-4-6 HF conducted	3 V
	EN 55011 emission	class B
MTTF	[years]	3449
UL approval	Ta	-25...70 °C
	Enclosure type	Type 1
	voltage supply	Limited Voltage/Current
	File number UL	E174191
Mechanical data		
Weight	[g]	71.6
Housing		rectangular
Mounting		flush mountable
Dimensions	[mm]	40 x 8 x 8
Materials		brass white bronze coated; sensing face: LCP
Tightening torque	[Nm]	1; (insertion depth: > 5 mm)
Displays / operating elements		
Display	switching status	1 x LED, red
Remarks		
Pack quantity		1 pcs.

# IL5026



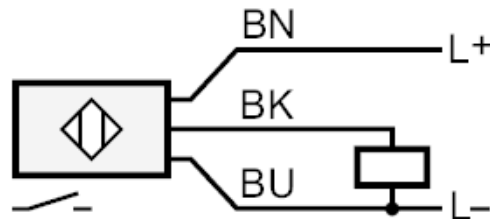
## Inductive sensor

ILA3002-BPKG/OBEN/4M/PH RT

### Electrical connection

Cable: 4 m, PUR; 3 x 0.14 mm<sup>2</sup>

### Connection



Core colours :

BN = brown  
BU = blue  
BK = black