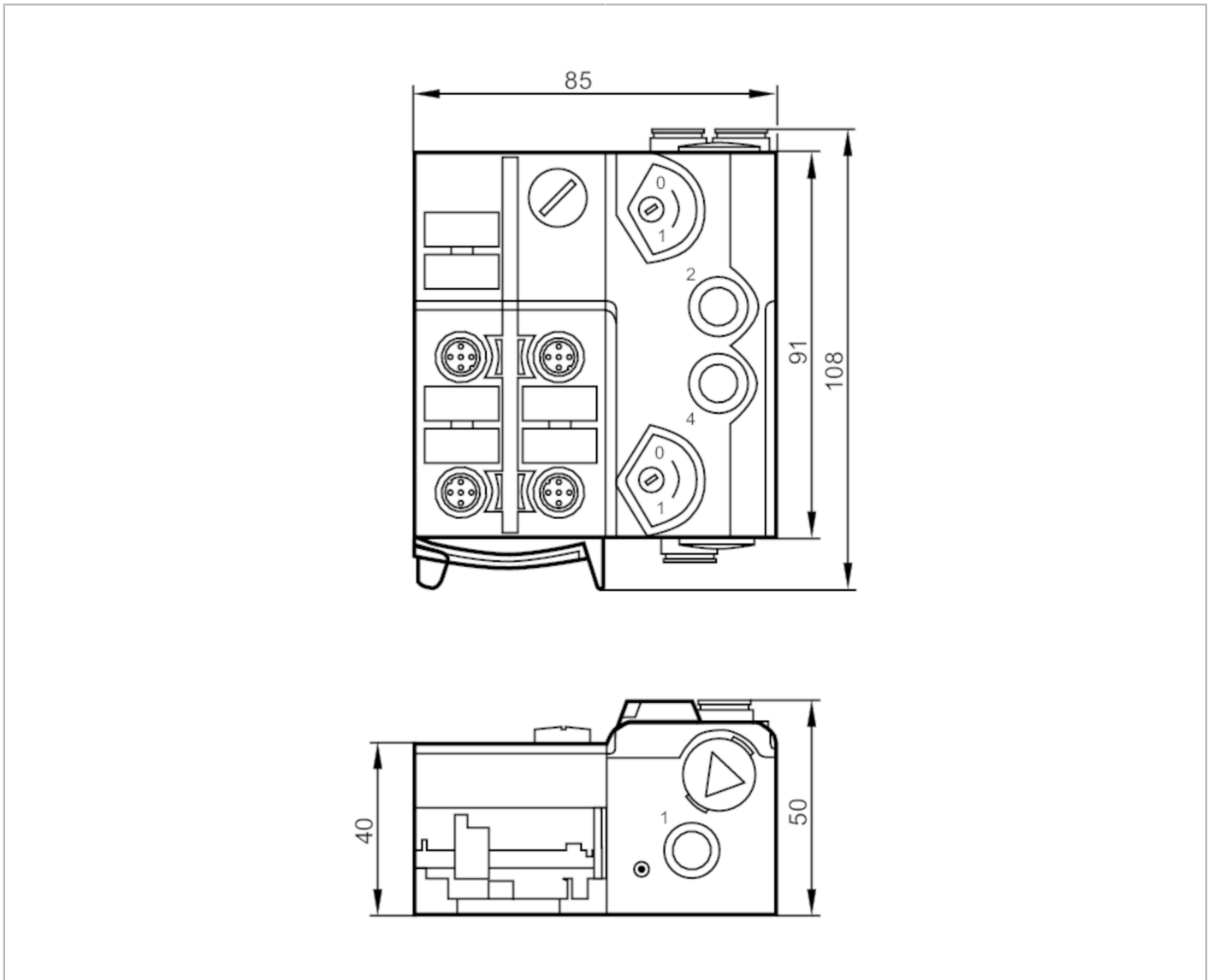


AC5253



AS-Interface Airbox with quick mounting technology

AirBox 5/2 bistable 4DI-Y AUX



Application		
Medium temperature	[°C]	-10...50
Electrical data		
Operating voltage	[V]	26.5...31.6 DC
Max. current consumption from AS-i	[mA]	280
Additional voltage supply	[V]	18...30 DC; (to PELV)
max. Stromaufnahme aus zusätzlicher Versorgung	[mA]	10
Integrated watchdog		yes
Inputs / outputs		
Number of inputs and outputs		Number of digital inputs: 4; Number of pneumatic outputs: 2

AC5253



AS-Interface Airbox with quick mounting technology

AirBox 5/2 bistable 4DI-Y AUX

Inputs					
Number of digital inputs	4				
Input circuit of digital inputs	PNP				
voltage supply [V]	20...30; (via flat cable)				
Max. total current rating of inputs [mA]	200				
Input current High [mA]	6...10				
Input current Low [mA]	0...2				
Min. switching level high signal [V]	11				
Digital inputs protected against short circuits	yes				
Sensor supply of the inputs	AS-i				
Outputs					
Number of pneumatic outputs	2; (supply: external 24 V power supply)				
Operating conditions					
Ambient temperature [°C]	-10...55				
Protection	IP 65; IP 67				
Tests / approvals					
EMC	EN 50295				
	IEC 61000-6-2				
MTTF [years]	216				
AS-i classification					
AS-i version	2.11 + 3.0				
AS-i addressing	addressing socket				
Extended addressing mode possible	yes				
AS-i profile	S-7.A.E				
AS-i I/O configuration [hex]	7				
AS-i ID code [hex]	A.E				
AS-i certificate pending	yes				
Assignment of the data bits	data bit	D0	D1	D2	D3
	input	1	2	3	4
	socket	I-1/2	I-1/2 I-2	I-3/4	I-3/4 I-4
	pin	4	2 4	4	2 4
	pneumatic output	2	4	-	-

AC5253



AS-Interface Airbox with quick mounting technology

AirBox 5/2 bistable 4DI-Y AUX

Mechanical data		
Weight [g]	374.2	
Type of mounting	AS-i flat cables directly connectable	
Materials	PA; POM; piercing contacts: CuSn6 nickel-plated and tin-plated;	
Pneumatic system	1 x 5/2-way slide valves (free from overlapping); bistable	
Operating pressure range [bar]	3...8	
Operating pressure range [MPa]	0.3...0.8	
Operating pressure range [psi]	43.5...116	
Air flow at 6/5 bar [l/min]	500	
Permissible compressed air	non-lubricated compressed air class 6-3-1; lubricated compressed air class 6-3-4	
Manual override	pressing/releasing or pressing/turning/locking	
Tube fittings	8	
Exhaust	exhaust can be discharged through tube connection	
Displays / operating elements		
Display	operation	LED, green
	errors	LED, red
	function	LED, yellow
Accessories		
Accessories (supplied)	lower part	
Accessories (optional)	Mounting plate, E74999	
	Module lower part, E75000	
	Protective cap: M12, E73004	
	sealing plugs, E75231	
	silencer, E75232	
	Push-in L-fitting, E75228	
	Push-in T-fitting, E75227	
Remarks		
Remarks	If not pneumatically operated, E75231 sealing plug must be inserted.	
	Avoid ingress of dirt and dust.	
	Do not connect any of the following points to an external potential: L-, L+, I-1, I-2, I-3, I-4	
	The connections are electrically connected with the AS-i cable. Notes on compressed air and EMC/ESD at www.ifm.com	
Pack quantity	1 pcs.	



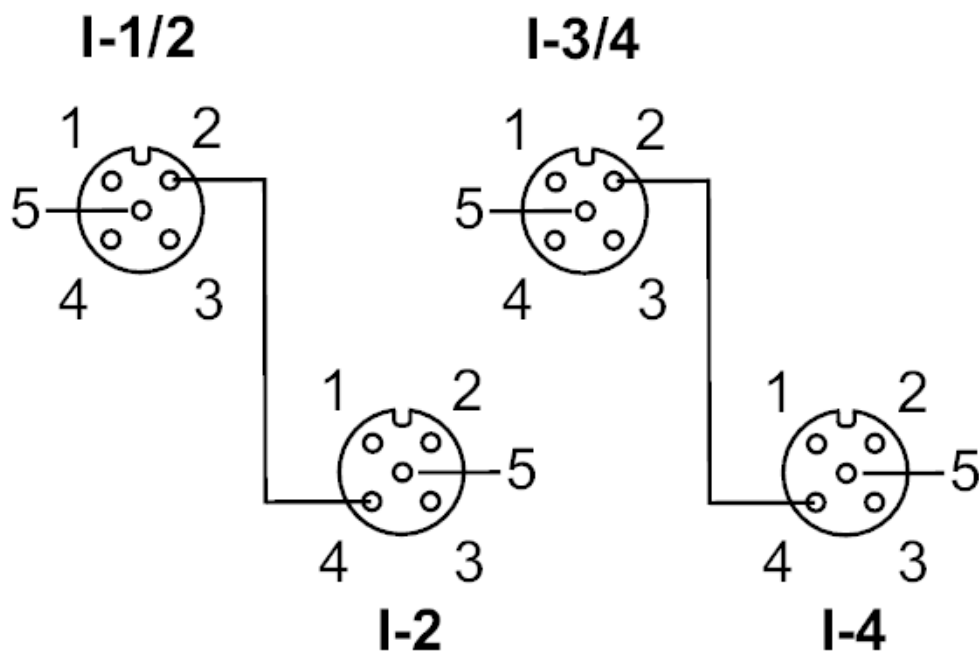
AS-Interface Airbox with quick mounting technology

AirBox 5/2 bistable 4DI-Y AUX

Electrical connection

quick mounting technology for AS-i flat cable: ; three orientations possible

Connection





AS-Interface Airbox with quick mounting technology

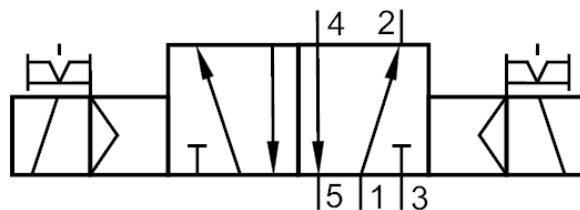
AirBox 5/2 bistable 4DI-Y AUX

	Inputs
	socket I-1/2
1	Sensor supply L+
2	data input 2
3	Sensor supply L-
4	data input 1
5	not used
	socket I-2
1	Sensor supply L+
2	not used
3	Sensor supply L-
4	data input 2
5	not used
	socket I-3/4
1	voltage supply L+
2	data input 4
3	Sensor supply L-
4	data input 3
5	not used
	socket I-4
1	Sensor supply L+
2	not used
3	Sensor supply L-
4	data input 4
5	not used

Connector: M12

Diagrams and graphs

Pneumatic symbol



1 x 5/2-way slide valves (free from overlapping); bistable