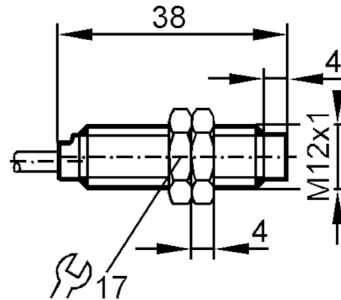


IF6014



Inductive sensor

IFB35,5-BPKG/2M/PVC/OLED



Electrical data

Operating voltage	[V]	10...36 DC
Current consumption	[mA]	15; (24 V)
Protection class		III
Reverse polarity protection		yes

Outputs

Electrical design		PNP
Output function		normally open
Max. voltage drop switching output DC	[V]	2.5
Permanent current rating of switching output DC	[mA]	150
Switching frequency DC	[Hz]	800
Short-circuit protection		yes
Type of short-circuit protection		pulsed
Overload protection		yes

Detection zone

Sensing range	[mm]	5.5
Real sensing range S_r	[mm]	$5.5 \pm 10 \%$
Operating distance	[mm]	0...4.45

IF6014



Inductive sensor

IFB35,5-BPKG/2M/PVC/OLED

Accuracy / deviations		
Correction factor	steel: 1 / stainless steel: 0.7 / brass: 0.5 / aluminium: 0.4 / copper: 0.3	
Hysteresis [% of Sr]	1...15	
Switch point drift [% of Sr]	-10...10	
Operating conditions		
Ambient temperature [°C]	10...50	
Protection	IP 67	
Tests / approvals		
EMC	EN 60947-5-2	
	EN 55011	class B
MTTF [years]	2531	
Mechanical data		
Weight [g]	62.2	
Housing	threaded type	
Mounting	non-flush mountable	
Dimensions [mm]	M12 x 1	
Thread designation	M12 x 1	
Materials	brass white bronze coated; PBT	
Accessories		
Accessories (supplied)	lock nuts: 2	
Remarks		
Pack quantity	1 pcs.	
Electrical connection		
Cable: 2 m, PVC; 3 x 0.14 mm ²		
Connection		

