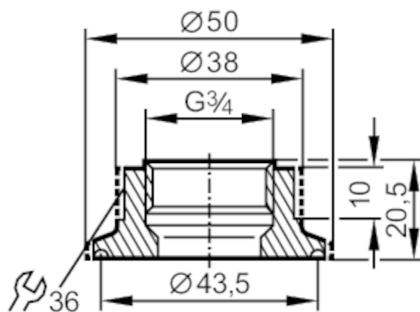


# E33901



## Process adapter Tri-Clamp

ADAPT G3/4-CLAMP ISO2852/1-1.5



### Application

Pressure rating [bar] 16

### Mechanical data

Weight [g] 125.8

Materials stainless steel (1.4435 / 316L)

Sensor connection G 3/4

Process connection Clamp 1-1,5" ISO 2852

Surface characteristics Ra/Rz of the wetted parts 0.4 / 4

Hygienic equipment class to DIN 11866 H4

### Remarks

Pack quantity 1 pcs.