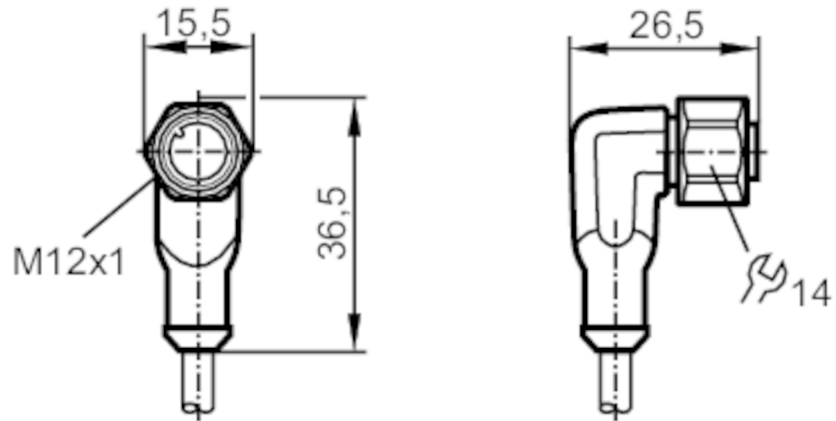


# EVC15A



## Connecting cable with socket

ADOAH040VAT0040H04/3G/2D



### Application

Compatible with paint yes

### Electrical data

Operating voltage [V] < 60 AC/DC

Protection class II

Max. current load total [A] 2

### Operating conditions

Ambient temperature [°C] -20...60

Protection IP 67; (outside hazardous areas: IP 68 / IP 69K)

### Tests / approvals

Approval BVS 08 ATEX E 109 U; IECEx BVS 08.0041 U

ATEX marking II 3G Ex nA IIC Gc

II 2D Ex tb IIIC Db IP65/IP67

### Mechanical data

Weight [g] 1305.8

Dimensions [mm] 26.5 x 15.5 x 36.5

Materials housing: TPU orange; Sealing: FKM

Material nut stainless steel (1.4404 / 316L)

### Remarks

Pack quantity 1 pcs.

# EVC15A



## Connecting cable with socket

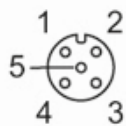
ADOAH040VAT0040H04/3G/2D

### Electrical connection

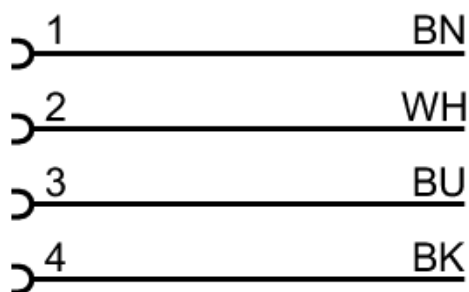
Cable: 40 m, PUR, Halogen-free, black, Ø 4.9 mm; 4 x 0.34 mm<sup>2</sup> (42 x Ø 0.1 mm )

### Electrical connection - socket

Connector: 1 x M12, angled; Locking: stainless steel (1.4404 / 316L); Contacts: gold-plated; Tightening torque: 1.2...1.5 Nm



### Connection



Core colours :

BK = black  
BN = brown  
BU = blue  
WH = white