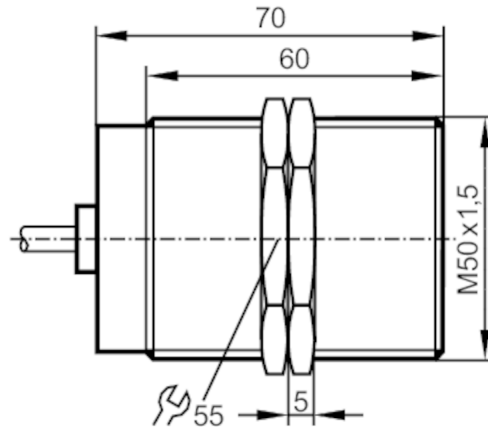




Inductive high-temperature sensor

I9-3020ZBPKG/M50/5M/SH



Application

Application high-temperature applications

Electrical data

Operating voltage [V]	10...35 DC
Current consumption [mA]	< 15
Protection class	III
Reverse polarity protection	yes

Outputs

Electrical design	PNP
Output function	normally open
Max. voltage drop switching output DC [V]	2
Permanent current rating of switching output DC [mA]	150
Switching frequency DC [Hz]	100
Short-circuit protection	yes
Type of short-circuit protection	pulsed
Overload protection	yes

Detection zone

Sensing range [mm]	20
Operating distance [mm]	0...16.2

Accuracy / deviations

Correction factor	steel: 1 / stainless steel: 0.6 / brass: 0.3 / aluminium: 0.2 / copper: 0.1
Hysteresis [% of Sr]	3...15
Switch point drift [% of Sr]	-10...10

Operating conditions

Ambient temperature [°C]	0...180
Protection	IP 65

I95045



Inductive high-temperature sensor

I9-3020ZBPKG/M50/5M/SH

Tests / approvals		
EMC	EN 61000-4-2 ESD	2 kV CD / 4 kV AD
	EN 61000-4-3 HF radiated	3 V/m
	EN 61000-4-4 Burst	2 kV
	EN 61000-4-6 HF conducted	3 V

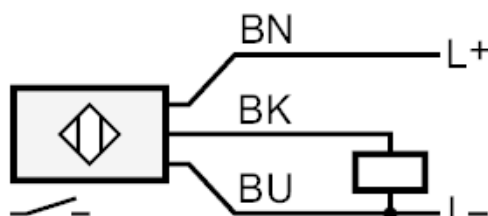
Mechanical data		
Weight	[g]	576.6
Housing		threaded type
Mounting		flush mountable
Dimensions	[mm]	M50 x 1.5 / L = 70
Thread designation		M50 x 1.5
Materials		housing: stainless steel; sensing face: LCP

Accessories	
Accessories (supplied)	lock nuts: 2

Remarks	
Pack quantity	1 pcs.

Electrical connection	
Cable: 5 m, silicone; highly flexible; 3 x 0.34 mm ²	

Connection



Core colours :

- BK = black
- BN = brown
- BU = blue