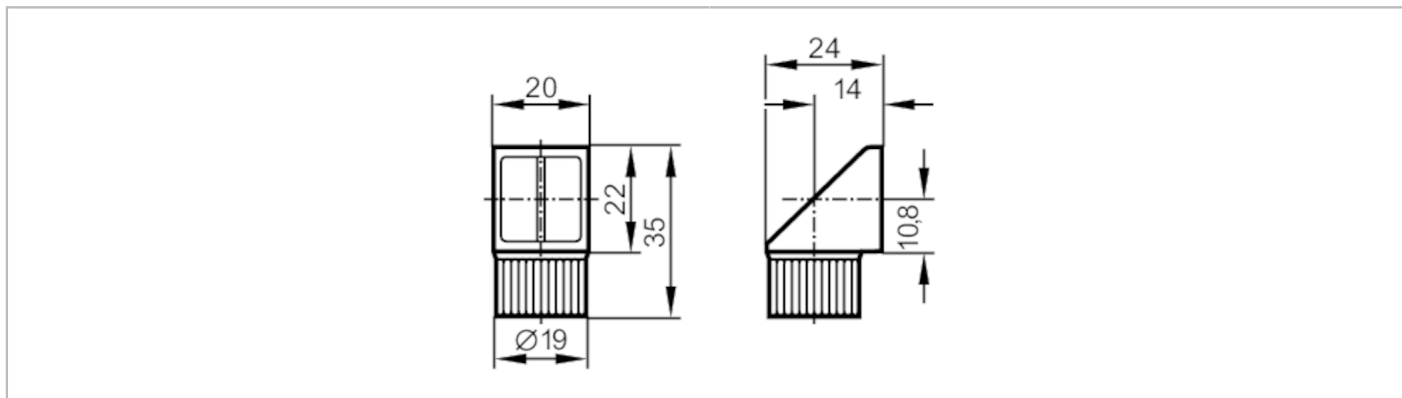


# E20590



## Angle support for photoelectric sensors

TA 90 DEG ATTACHMENT FOR OF



### Mechanical data

Weight [g] 8.8

Materials housing: ABS; lens: PC

### Remarks

Pack quantity 1 pcs.

### Diagrams and graphs