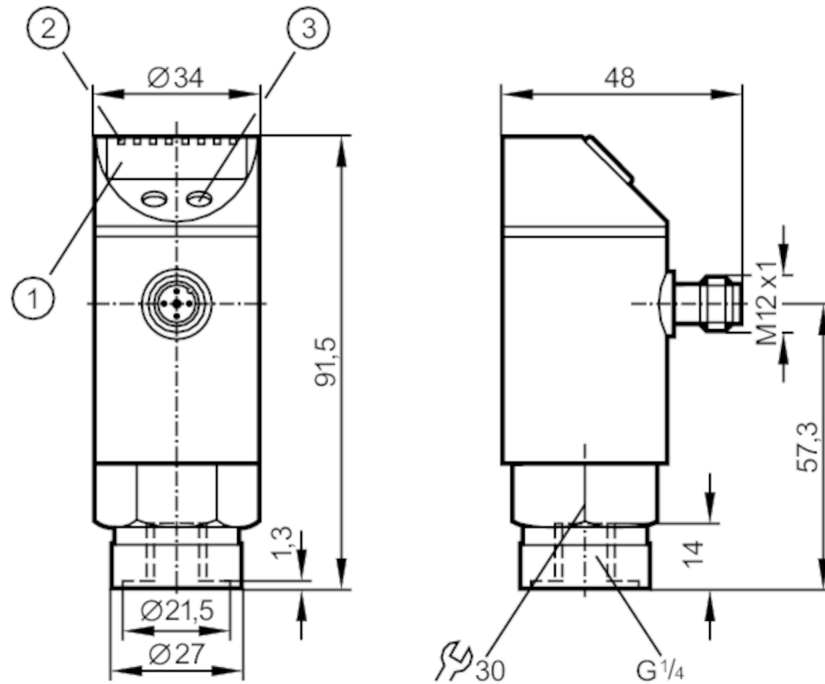


PE7006



Pressure sensor with display

PE-2,5-RDR14-QFRKG/US/ IE



- 1 alphanumeric display 4-digit
- 2 LEDs Display unit / switching status
- 3 programming button



Application

Media	liquids and gases		
Cannot be used for	oils		
Medium temperature [°C]	-25...80		
Pressure rating	20 bar	290 psi	2000 kPa
Min. bursting pressure	50 bar	725 psi	5000 kPa
Type of pressure	relative pressure		

Electrical data

Operating voltage [V]	18...36 DC; (according to EN 50178 SELV/PELV)
Current consumption [mA]	< 50
Min. insulation resistance [MΩ]	100; (500 V DC)
Protection class	III
Reverse polarity protection	yes
Oversvoltage protection	yes; (< 40 V)
Power-on delay time [s]	0.3
Integrated watchdog	yes

Inputs / outputs

Number of inputs and outputs	Number of digital outputs: 2
------------------------------	------------------------------

PE7006



Pressure sensor with display

PE-2,5-RDR14-QFRKG/US/ IE

Outputs			
Total number of outputs	2		
Output signal	switching signal; IO-Link; (configurable)		
Electrical design	PNP/NPN		
Number of digital outputs	2		
Output function	normally open / normally closed; (parameterisable)		
Max. voltage drop switching output DC [V]	2		
Permanent current rating of switching output DC [mA]	250		
Switching frequency DC [Hz]	< 170		
Short-circuit protection	yes		
Type of short-circuit protection	pulsed		
Measuring/setting range			
Measuring range	0...2.5 bar	0...36.3 psi	0...250 kPa
Set point SP	0.02...2.5 bar	0.4...36.2 psi	2...250 kPa
Reset point rP	0.01...2.49 bar	0.2...36 psi	1...249 kPa
In steps of	0.01 bar	0.2 psi	1 kPa
Factory setting		SP1 = 0.63 bar SP2 = 1.88 bar	rP1 = 0.58 bar rP2 = 1.83 bar
Accuracy / deviations			
Switch point accuracy [% of the span]	< ± 0,5		
Repeatability [% of the span]	< ± 0,1; (with temperature fluctuations < 10 K)		
Characteristics deviation [% of the span]	< ± 0,25 (BFSL) / < ± 0,5 (LS); (BFSL = Best Fit Straight Line; LS = limit value setting)		
Hysteresis deviation [% of the span]	< ± 0,25		
Long-term stability [% of the span]	< ± 0,05; (per 6 months)		
Temperature coefficient zero point [% of the span / 10 K]	0,2; (-20...80 °C)		
Temperature coefficient span [% of the span / 10 K]	0,2; (-20...80 °C)		
Response times			
Delay time programmable dS, dr [s]	0; 0,2...50		
Software / programming			
Parameter setting options	hysteresis / window; normally open / normally closed; diagnostic function; switching logic; switch-on/switch-off delay; Damping; Display unit		

PE7006



Pressure sensor with display

PE-2,5-RDR14-QFRKG/US/ IE

Interfaces	
Communication interface	IO-Link
Transmission type	COM2 (38,4 kBaud)
IO-Link revision	1.1
IO-Link device ID	312 d / 00 01 38 h
Profiles	no profile
SIO mode	yes
Required master port type	A
Process data analogue	1
Process data binary	2
Min. process cycle time [ms]	2.3

Operating conditions	
Ambient temperature [°C]	-20...80
Storage temperature [°C]	-40...100
Protection	IP 67

Tests / approvals		
EMC	EN 61000-6-2	
	EN 61000-6-3	
Shock resistance	DIN EN 60068-2-27	50 g (11 ms)
Vibration resistance	DIN EN 60068-2-6	20 g (10...2000 Hz)
MTTF [years]	237	

Mechanical data	
Weight [g]	261
Materials	stainless steel (1.4301 / 304); stainless steel (1.4404 / 316L); PC; PBT; PEI; FKM; EPDM/X; PTFE
Materials (wetted parts)	stainless steel (1.4404 / 316L); ceramics (99.9 % Al ₂ O ₃); sealing of the measuring cell: EPDM
Min. pressure cycles	100 million
Process connection	threaded connection G 1/4 internal thread

Displays / operating elements		
Display	Display unit	3 x LED, green
	switching status	2 x LED, yellow
	function display	alphanumeric display, 4-digit
	measured values	alphanumeric display, 4-digit

Remarks	
Pack quantity	1 pcs.

Electrical connection

Connector: 1 x M12; Contacts: gold-plated

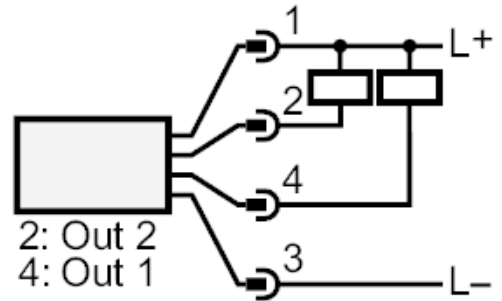
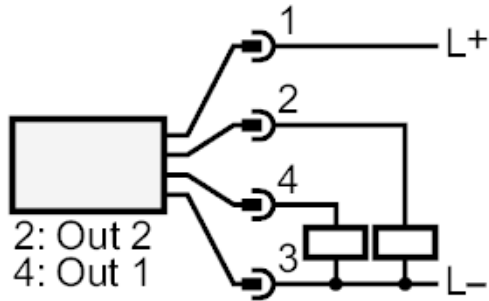


PE7006



Pressure sensor with display

PE-2,5-RDR14-QFRKG/US/ IE



OUT1	switching output
OUT2	switching output
	Diagnostic output