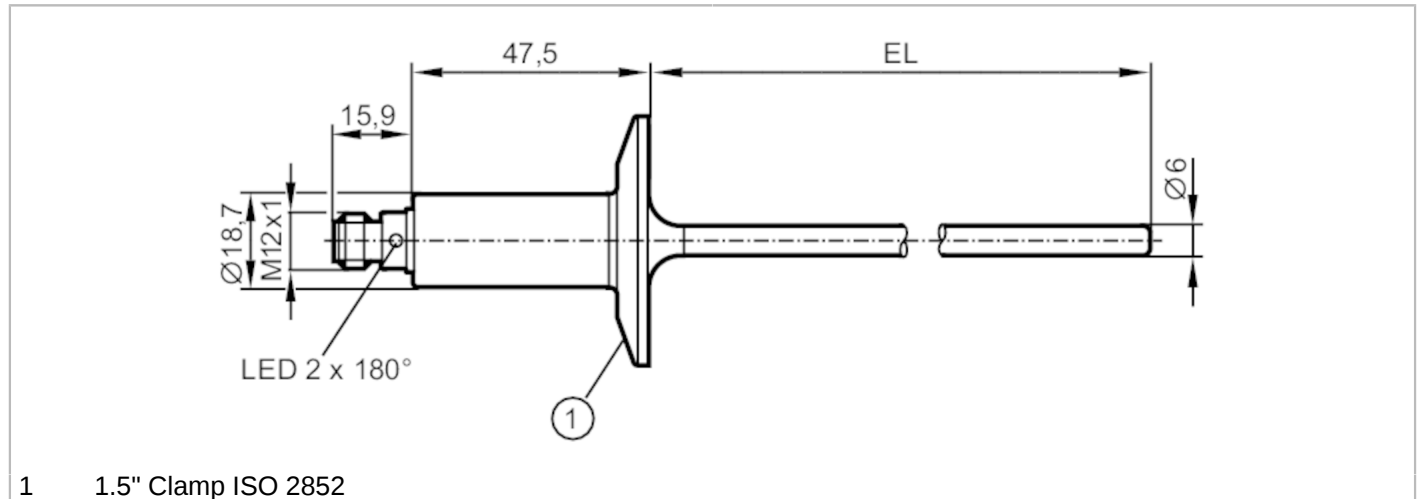


# TA2802



## Temperature transmitter

TA-030CLEC01-- /US







 EC 1935/2004 EHEDG Certified
 


| Application                       |  |
|-----------------------------------|--|
| Measuring element                 | 1 x Pt 1000; (to DIN EN 60751, class A)  |
| Media                             | liquids and gases                        |
| Pressure rating [bar]             | 100                                      |
| Vacuum resistance [mbar]          | -1000                                    |
| Electrical data                   |  |
| Operating voltage [V]             | 18...32 DC; ("supply class 2" to cULus)  |
| Current consumption [mA]          | < 50                                     |
| Protection class                  | III                                      |
| Reverse polarity protection       | yes                                      |
| Power-on delay time [s]           | 2  |
| Inputs / outputs                  |  |
| Number of inputs and outputs      | Number of analogue outputs: 1            |
| Outputs                           |  |
| Total number of outputs           | 1  |
| Output signal                     | analogue signal; IO-Link; (configurable) |
| Number of analogue outputs        | 1  |
| Analogue current output [mA]      | 4...20                                   |
| Max. load [Ω]                     | 250; ((18...19 V); 19...32 V: 300 Ω)     |
| Short-circuit protection          | yes                                      |
| Overload protection               | yes                                      |
| Measuring/setting range           |  |
| Measuring range [°C]              | -50...200                                |
| Factory setting                   | 0...200 °C                               |
| Resolution                        |  |
| Resolution of analogue output [K] | 0.04                                     |

# TA2802



## Temperature transmitter

TA-030CLEC01-- /US

| Accuracy / deviations                             |                                      |   |
|---|--------------------------------------|---|
| Precision analogue output [K]                     |                                      | $\pm 0,3 + (\pm 0,1 \% \text{ MS})$   |
| Temperature coefficient [% of the span / 10 K]    |                                      | 0,1; (in case of deviation from the reference condition $25 \pm 5 \text{ }^\circ\text{C}$ )                                   |
| Response times                                    |                                      |   |
| Dynamic response T05 / T09 [s]                    |                                      | $< 0,5 / < 2$   |
| Interfaces  |                                      |   |
| Communication interface                           |                                      | IO-Link   |
| Transmission type                                 |                                      | COM2 (38,4 kBaud)   |
| IO-Link revision                                  |                                      | 1.1   |
| Operating conditions                              |                                      |   |
| Ambient temperature [°C]                          |                                      | -25...80  |
| Note on ambient temperature                       |                                      | at medium temperature: $< 160 \text{ }^\circ\text{C}$<br>-25...60 °C<br>at medium temperature: $< 200 \text{ }^\circ\text{C}$ |
| Storage temperature [°C]                          |                                      | -40...100   |
| Protection  |                                      | IP 67; IP 68; IP 69K  |
| Tests / approvals                                 |                                      |   |
| EMC   | DIN EN 61000-6-2<br>DIN EN 61000-6-3 |   |
| Shock resistance                                  | DIN IEC 68-2-27                      | 50 g (11 ms)  |
| Vibration resistance                              | DIN IEC 68-2-6                       | 10 g (10...2000 Hz)   |
| MTTF [years]                                      |                                      | 232   |
| UL approval                                       | UL Approval no.                      | K002  |
| Mechanical data                                   |                                      |   |
| Weight [g]  |                                      | 217.6   |
| Dimensions [mm]                                   |                                      | $\varnothing 18.71$   |
| Materials   |                                      | stainless steel (1.4404 / 316L); PEI; FKM   |
| Materials (wetted parts)                          |                                      | stainless steel (1.4404 / 316L) electropolished   |
| Process connection                                |                                      | Clamp 1,5" ISO 2852   |
| Surface characteristics Ra/Rz of the wetted parts |                                      | Ra: $< 0.8$   |
| Probe diameter [mm]                               |                                      | 6   |
| Installation length EL [mm]                       |                                      | 30  |
| Remarks   |                                      |   |
| Remarks   |                                      | MS = set measuring span<br>The values for accuracy apply to flowing water.  |
| Pack quantity                                     |                                      | 1 pcs.  |
| Electrical connection                             |                                      |   |
| Connector: 1 x M12                                |                                      |   |

# TA2802



## Temperature transmitter

TA-030CLEC01-- /US



### Connection

