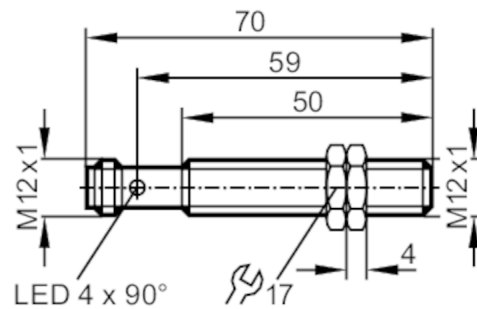


IF6029



Inductive analogue sensor

IFK3002A2PKG/US



Electrical data

Operating voltage	[V]	15...30 DC
Current consumption	[mA]	< 20
Protection class		II
Reverse polarity protection		yes

Outputs

Analogue voltage output	[V]	0...10; (linear; gradient: 5,55 V/mm; for frontal approach and for target made of mild steel: 12 x 12 x 1 mm)
Min. load resistance	[Ω]	2000
Short-circuit protection		yes
Overload protection		yes

Detection zone

Measuring range	[mm]	0.2...2
-----------------	------	---------

Accuracy / deviations

Correction factor		steel: 1 / stainless steel: 0.7 / brass: 0.5 / aluminium: 0.4 / copper: 0.3
Linearity error of analogue output	[%]	± 3 %; (of UA max)
Repeatability analogue output	[%]	± 2 %; (of UA max)

Response times

Response time	[ms]	< 10
---------------	------	------

Operating conditions

Ambient temperature	[°C]	-25...80
Protection		IP 67

Tests / approvals

MTTF	[years]	1009
------	---------	------

IF6029



Inductive analogue sensor

IFK3002A2PKG/US

Mechanical data	
Weight [g]	44.8
Housing	threaded type
Mounting	flush mountable
Dimensions [mm]	M12 x 1 / L = 70
Thread designation	M12 x 1
Materials	housing: brass white bronze coated; sensing face: PBT

Displays / operating elements		
Display	within the operating range	1 x LED, yellow lights
	outside the operating range	1 x LED, yellow flashing

Accessories	
Accessories (supplied)	lock nuts: 2

Remarks	
Pack quantity	1 pcs.

Electrical connection - plug

Connector: 1 x M12



Connection

