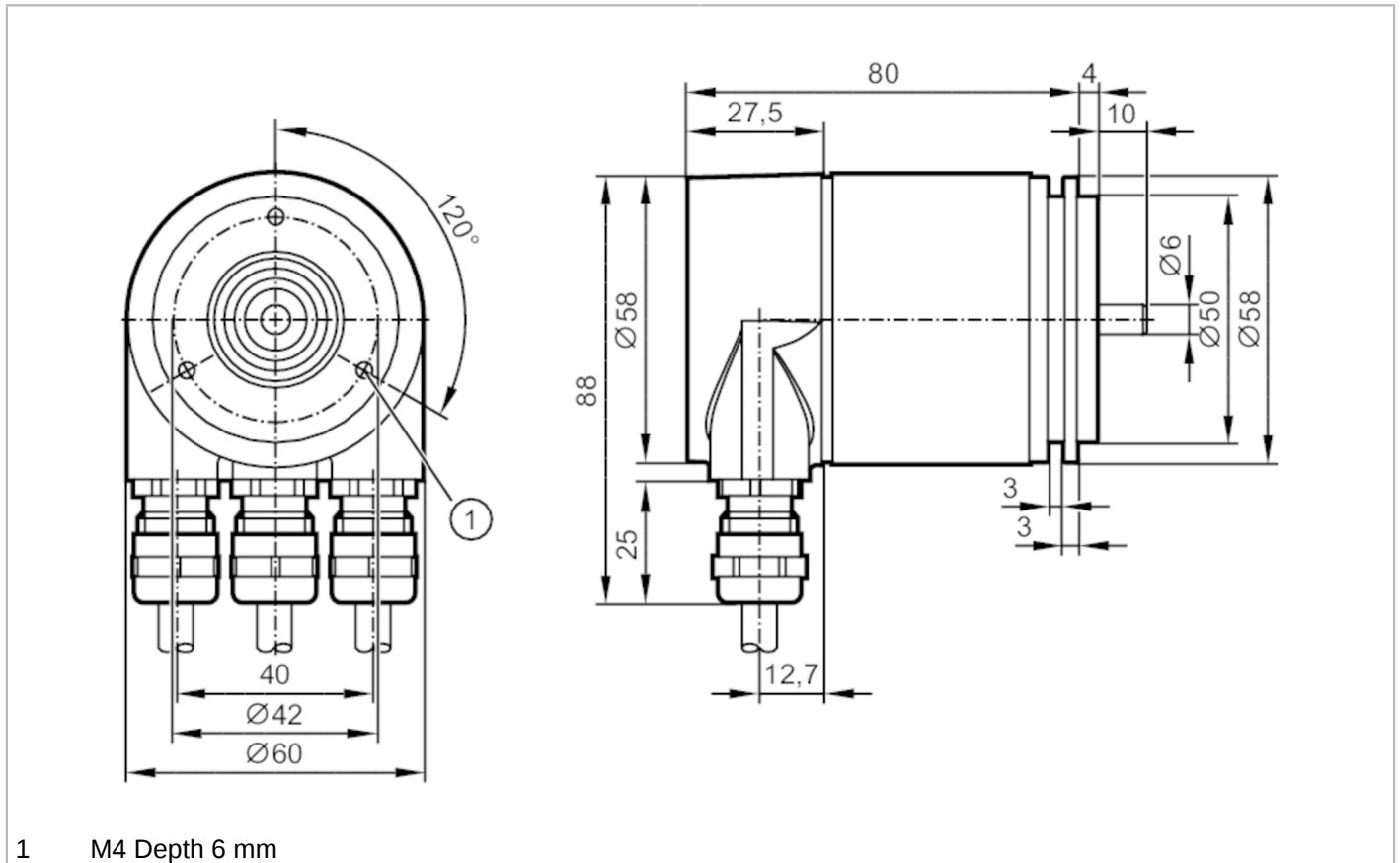


# RM3006



## Absolute multiturn encoder with solid shaft

RMS0025-E24/E



1 M4 Depth 6 mm



Application	
Function principle	absolute
Revolution type	multiturn
Electrical data	
Operating voltage [V]	10...30 DC
Current consumption [mA]	100; ((24 V))
Reverse polarity protection	yes
Outputs	
Code	binary
Measuring/setting range	
Resolution	8192 steps; 4096 revolutions; 25 bit
Software / programming	
Parameter setting options	counting direction of the code values; Resolution; zero point; limit switches HI and LO; motion indicator; separation multiturn/singleturn
Diagnostic functions	alarms; warnings; status; serial number of the encoder
Addressing	address selector switch; 0...126
Interfaces	
Communication interface	PROFIBUS DP
PROFIBUS DP	
Transmission standard	DPV2

# RM3006



## Absolute multiturn encoder with solid shaft

RMS0025-E24/E

Operating conditions		
Ambient temperature	[°C]	-40...85
Max. relative air humidity	[%]	98
Protection		IP 67; (on the housing: IP 67; on the shaft: IP 67)
Tests / approvals		
Shock resistance		100 g (6 ms)
Vibration resistance		10 g (10...2000 Hz)
MTTF	[years]	13.5
Mechanical data		
Weight	[g]	623.4
Dimensions	[mm]	Ø 58 / L = 94
Materials		aluminium
Max. revolution, mechanical	[U/min]	12000
Shaft design		solid shaft
Shaft diameter	[mm]	6
Shaft material		steel (1.4104)
Max. shaft load axial (at the shaft end)	[N]	40
Max. shaft load radial (at the shaft end)	[N]	110
Fixing flange		synchro-flange
Electrical connection		
terminal strip in the terminal chamber:		