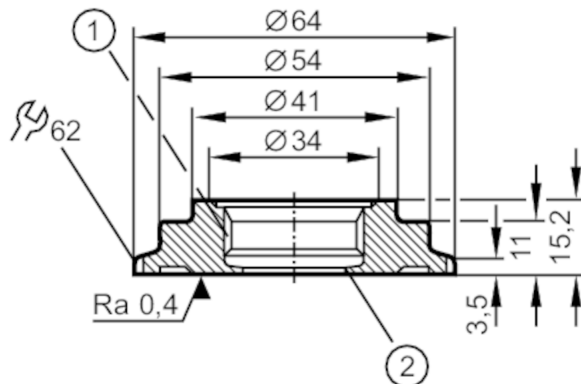


E33108



Process adapter clamp connection with notch

ADA IFM-DIN11864-BKS-3A/DN40



- 1 Aseptoflex thread
- 2 Aseptoflex sealing edge

EC 1935/2004 

Application	
Pressure rating	[bar] 40
Mechanical data	
Weight	[g] 231.6
Materials	stainless steel (1.4435 / 316L)
Sensor connection	Aseptoflex
Process connection	Clamp DN40 DIN 11864-3-A-BKS
Surface characteristics Ra/Rz of the wetted parts	0.4 / 4
Hygienic equipment class to DIN 11866	H4
Remarks	
Pack quantity	1 pcs.