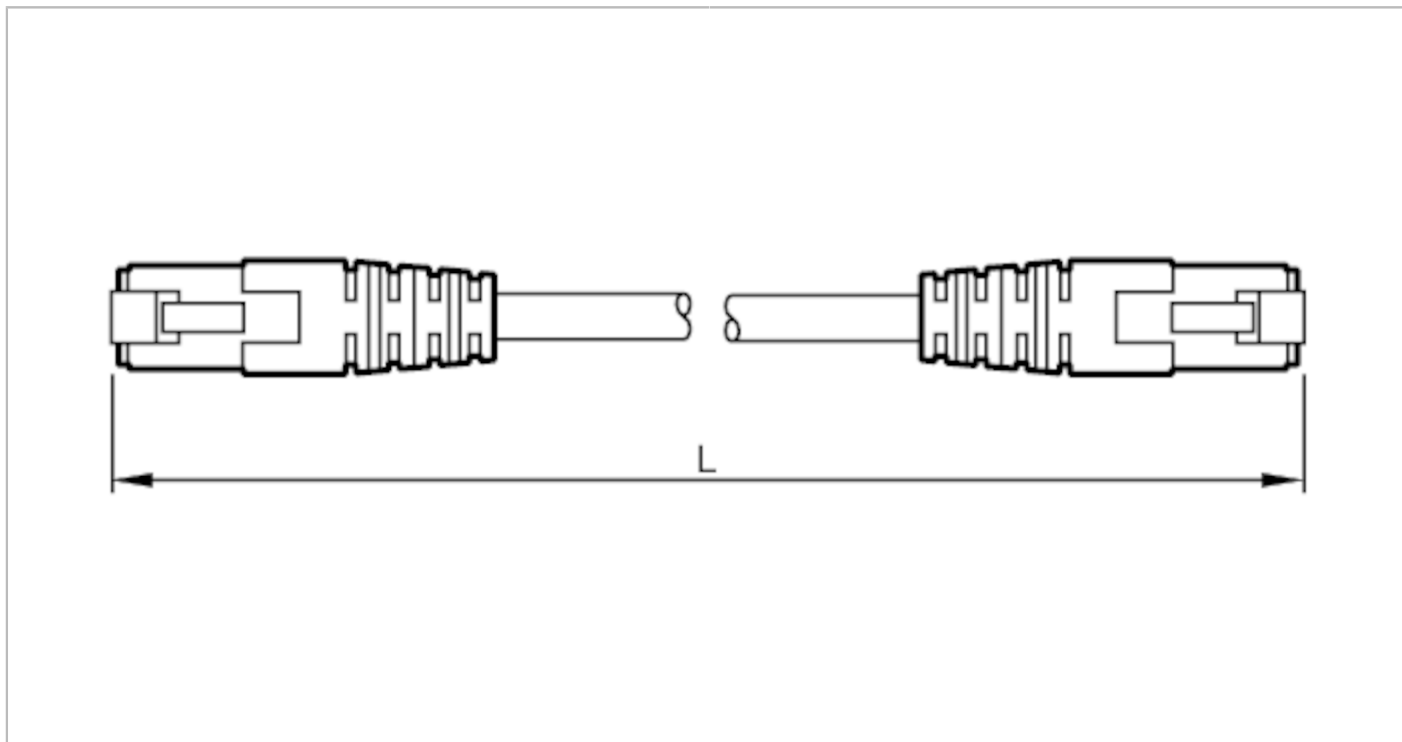


E30112



Ethernet connection cable

CROSS CABLE 5M



Application

Design	Ethernet cable
Application	cross-over patch cable; patch cable

Operating conditions

Ambient temperature	[°C]	-25...80
Protection		IP 68

Mechanical data

Weight	[g]	147.4
Materials		PUR

Remarks

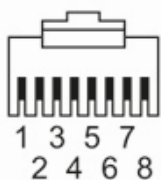
Pack quantity	1 pcs.
---------------	--------

Electrical connection

Cable: 5 m, PVC, grey, Ø 6 mm

Electrical connection - plug

Connector: 2 x RJ45, straight; Moulded body: PUR



E30112



Ethernet connection cable

CROSS CABLE 5M

Connection

