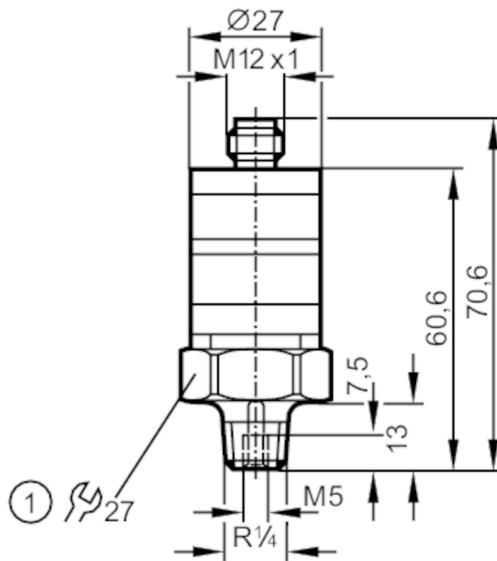


PK5722



Pressure switch with intuitive switch point setting

PK-100-SFR14-PSPKG/US/ IW



1 Tightening torque 25 Nm



| Application | |
|---------------------------------|------------------------------|
| Application | for industrial applications |
| Media | liquids and gases |
| Medium temperature [°C] | -25...80 |
| Pressure rating | 200 bar 20 MPa |
| Min. bursting pressure | 1000 bar 100 MPa |
| Type of pressure | relative pressure |
| Electrical data | |
| Operating voltage [V] | 9.6...32 DC |
| Current consumption [mA] | < 25 |
| Min. insulation resistance [MΩ] | 100; (500 V DC) |
| Protection class | III |
| Reverse polarity protection | yes |
| Inputs / outputs | |
| Number of inputs and outputs | Number of digital outputs: 1 |

PK5722



Pressure switch with intuitive switch point setting

PK-100-SFR14-PSPKG/US/ IW

| Outputs | | |
|--|--|---------------------|
| Total number of outputs | 1 | |
| Output signal | switching signal | |
| Electrical design | PNP | |
| Number of digital outputs | 1 | |
| Output function | normally open | |
| Max. voltage drop switching output DC [V] | 2 | |
| Permanent current rating of switching output DC [mA] | 500 | |
| Switching frequency DC [Hz] | 100 | |
| Short-circuit protection | yes | |
| Type of short-circuit protection | pulsed | |
| Overload protection | yes | |
| Measuring/setting range | | |
| Measuring range | 0...100 bar | 0...10 MPa |
| Set point SP | 3...100 bar | 0.3...10 MPa |
| Hysteresis | 2 bar | 0.2 MPa |
| Accuracy / deviations | | |
| Switch point accuracy [% of the final value] | < ± 2,5; (Setting accuracy) | |
| Repeatability [% of the final value] | < ± 0,5; (with temperature fluctuations < 10 K) | |
| Characteristics deviation [% of the final value] | < ± 1,5 (BFSL) / < ± 2,5 (LS); (BFSL = Best Fit Straight Line; LS = limit value setting) | |
| Temperature drift per 10 K | < ± 0,5 | |
| Temperature drift per 10 K | < ± 0,5 | |
| Software / programming | | |
| Adjustment of the switch point | setting ring | |
| Operating conditions | | |
| Ambient temperature [°C] | -25...80 | |
| Storage temperature [°C] | -40...100 | |
| Protection | IP 67 | |
| Tests / approvals | | |
| EMC | EN 61000-4-2 ESD | 4 kV CD / 8 kV AD |
| | EN 61000-4-3 HF radiated | 10 V/m |
| | EN 61000-4-4 Burst | 2 kV |
| | EN 61000-4-6 HF conducted | 10 V |
| Shock resistance | DIN IEC 68-2-27 | 50 g (11 ms) |
| Vibration resistance | DIN IEC 68-2-6 | 20 g (10...2000 Hz) |
| MTTF [years] | 1030 | |
| Pressure Equipment Directive | Sound Engineering Practice; can be used for group 2 fluids; group 1 fluids on request | |

PK5722



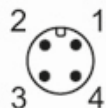
Pressure switch with intuitive switch point setting

PK-100-SFR14-PSPKG/US/ IW

| Mechanical data | | |
|-------------------------------|---|-------------|
| Weight [g] | 90.8 | |
| Materials | PBT; PC; FKM; stainless steel (1.4404 / 316L) | |
| Materials (wetted parts) | stainless steel (1.4404 / 316L); FKM | |
| Min. pressure cycles | 50 million | |
| Process connection | threaded connection R 1/4 external thread internal threadM5 | |
| Displays / operating elements | | |
| Display | operation | LED, green |
| | switching status | LED, yellow |
| With scale | yes | |
| Remarks | | |
| Pack quantity | 1 pcs. | |

Electrical connection

Connector: 1 x M12



Connection

