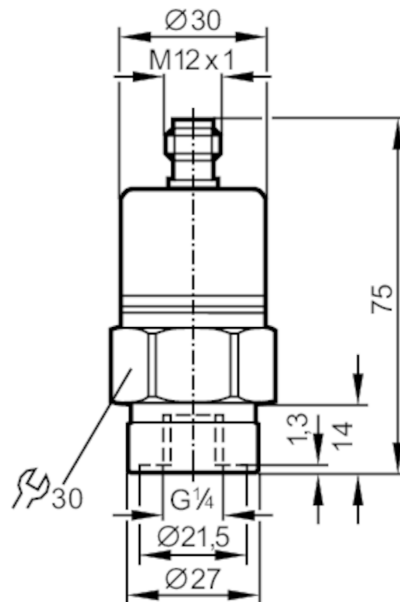


# PA3026



## Pressure transmitter with ceramic measuring cell

PA-2,5-RBR14-A-ZVG/US/ IV



### Application

Media		liquids and gases
Medium temperature	[°C]	-25...90; (on request: -40...90 °C)
Pressure rating	[bar]	20
Min. bursting pressure	[bar]	50
Type of pressure		relative pressure

### Electrical data

Operating voltage	[V]	9.6...32 DC
Min. insulation resistance	[MΩ]	100; (500 V DC)
Protection class		III
Reverse polarity protection		yes

### Inputs / outputs

Number of inputs and outputs		Number of analogue outputs: 1
------------------------------	--	-------------------------------

### Outputs

Total number of outputs		1
Output signal		analogue signal
Number of analogue outputs		1
Analogue current output	[mA]	4...20
Max. load	[Ω]	720; (U <sub>b</sub> = 24 V; (U <sub>b</sub> - 9,6 V) / 20 mA)
Overload protection		yes

### Measuring/setting range

Measuring range	[bar]	0...2.5
-----------------	-------	---------

# PA3026



## Pressure transmitter with ceramic measuring cell

PA-2,5-RBR14-A-ZVG/US/ IV

Accuracy / deviations	
Repeatability [% of the span]	< 0,1; (with temperature fluctuations < 10 K)
Characteristics deviation [% of the span]	< ± 0,25 (BFSL) / < ± 0,5 (LS); (BFSL = Best Fit Straight Line; LS = limit value setting)
Long-term stability [% of the span]	< ± 0,05; (per 6 months)
Temperature coefficient zero point [% of the span / 10 K]	0,1; (0...80 °C)
Temperature coefficient span [% of the span / 10 K]	0,2; (0...80 °C)

Response times	
Step response time analogue output [ms]	3

Operating conditions	
Ambient temperature [°C]	-25...80
Storage temperature [°C]	-40...100
Protection	IP 65

Tests / approvals		
EMC	EN 61000-4-2 ESD	4 kV CD / 8 kV AD
	EN 61000-4-3 HF radiated	30 V/m
	EN 61000-4-4 Burst	2 kV
	EN 61000-4-6 HF conducted	10 V
	radiation of interference	according to the automotive directive 2004/104/EC
	CISPR 25	
	noise immunity	according to the automotive directive 2004/104/EC
	ISO 11452-2 HF radiated	100 V/m
	ISO 7637-2 pulse	severity level 4
	Shock resistance	DIN EN 60068-2-27
DIN EN 61373		category 3
Vibration resistance	DIN EN 60068-2-6	20 g (10...2000 Hz)
	DIN EN 61373	category 2
MTTF [years]	506	
Railway applications	DIN EN 50155 / IEC 60571	Klasse T3, C1, S1

Mechanical data	
Weight [g]	221
Materials	stainless steel (1.4404 / 316L); FKM; PA; EPDM/X
Materials (wetted parts)	stainless steel (1.4305 / 303); ceramics; FKM
Min. pressure cycles	100 million
Process connection	threaded connection G 1/4 internal thread

Remarks	
Pack quantity	1 pcs.

Electrical connection	
Connector: 1 x M12; Contacts: gold-plated	

# PA3026



## Pressure transmitter with ceramic measuring cell

PA-2,5-RBR14-A-ZVG/US/ IV



### Connection

