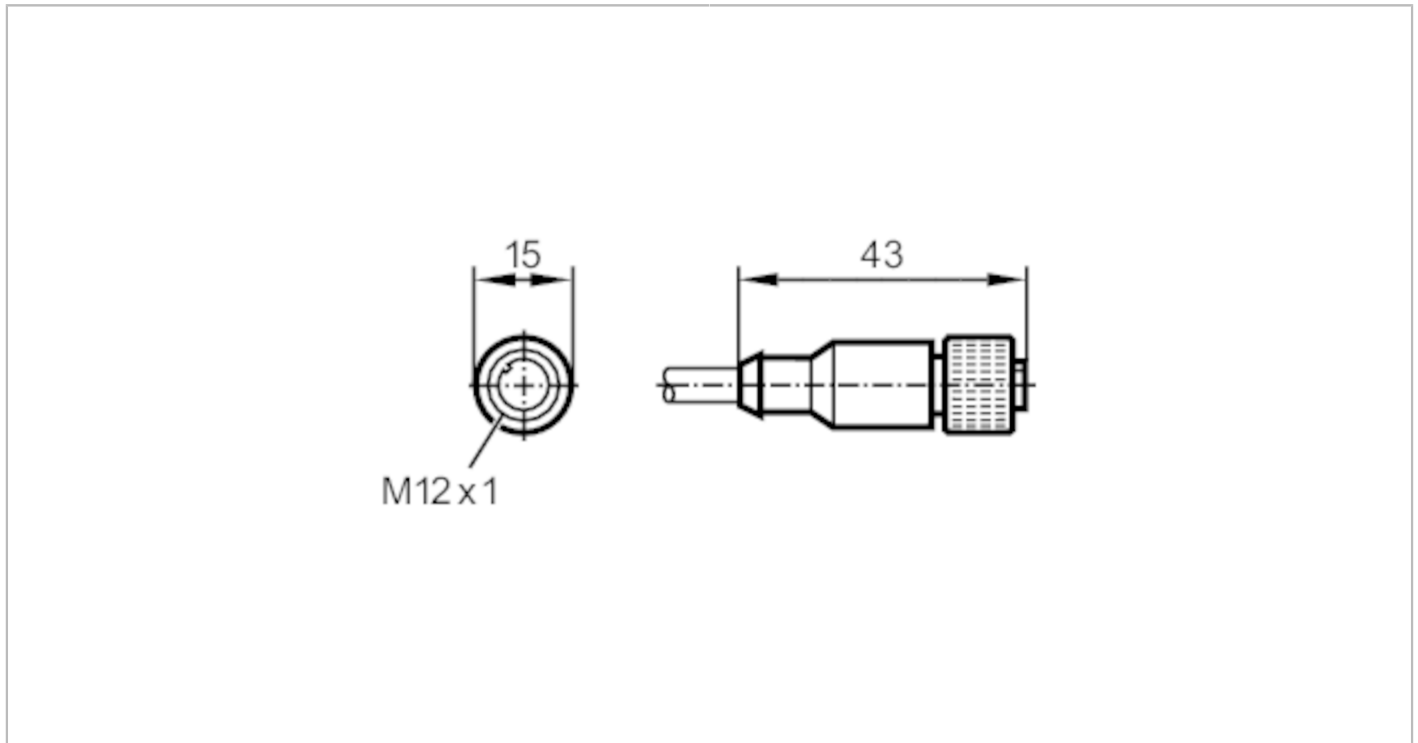


E11855



Connecting cable with socket

ADOGH080MSS0010K08



Electrical data	
Operating voltage [M]	< 30 AC / < 36 DC
Protection class	III
Operating conditions	
Ambient temperature [°C]	-25...80
Protection	IP 67
Mechanical data	
Weight [g]	668.6
Dimensions [mm]	15 x 15 x 43
Materials	PUR
Material nut	brass
Remarks	
Notes	For 8-pole sockets the core colours are not standardised.; Please note the wiring of the sensor and the sockets (see data sheet).
Pack quantity	1 pcs.
Electrical connection	
Cable: 10 m, PUR, black, Ø 6.6 mm, shielded; 8 x 0.25 mm ² (14 x Ø 0.15 mm)	
Electrical connection - socket	
Connector: 1 x M12, straight; Moulded body: PUR; Locking: brass, nickel-plated; Tightening torque: 0.7...0.9 Nm; Shielded connection cable: screen connected	

E11855



Connecting cable with socket

ADOGH080MSS0010K08



Connection



colours to DIN 47100

Core colours :

BN =	brown
BU =	blue
GN =	green
GY =	grey
PK =	pink
RD =	red
WH =	white
YE =	yellow
screen =	screen