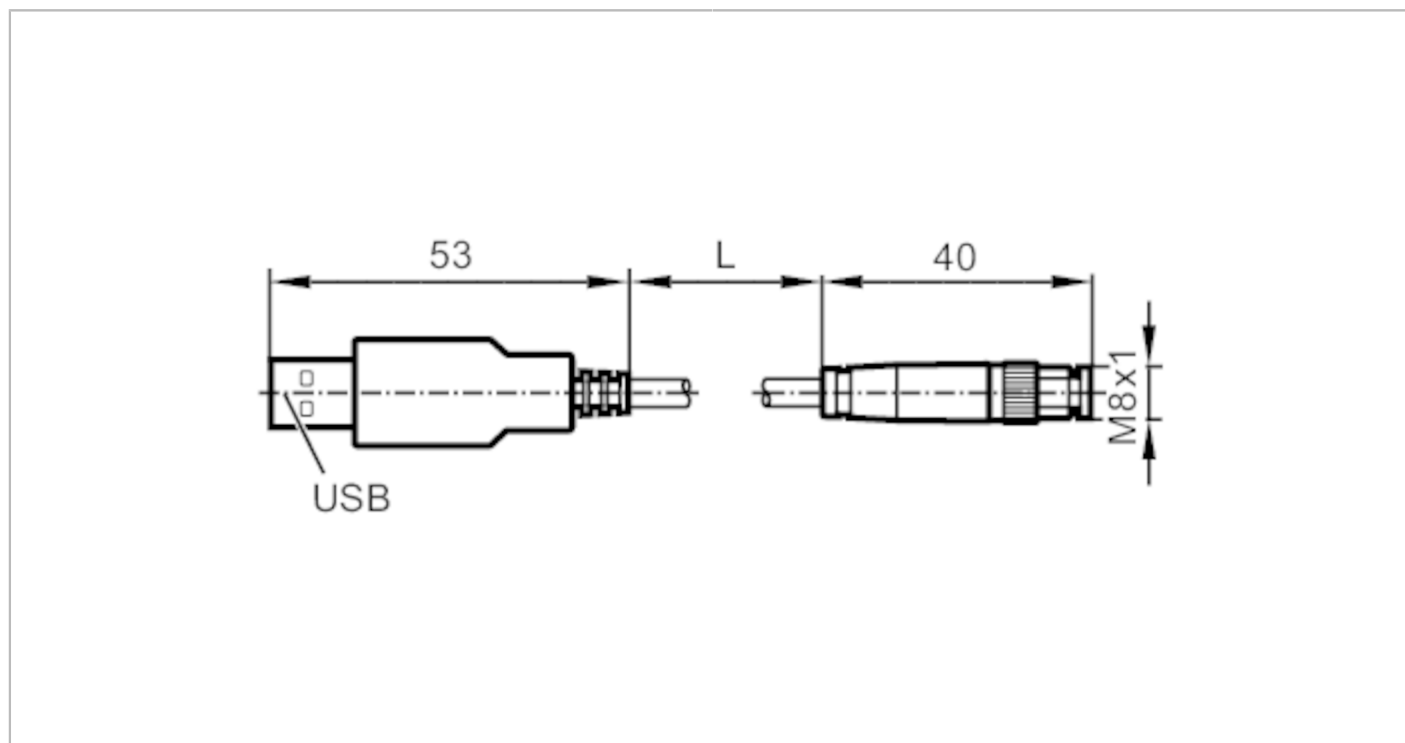


E30136



USB connection cable

USB M8 CABLE



Mechanical data

Weight	[g]	230
Material nut		brass

Remarks

Pack quantity	1 pcs.
---------------	--------

Electrical connection

Cable: 5 m, PVC, Ø 5 mm

Electrical connection - plug M8

1	L+
2	USB_M
3	L-
4	USB_P

Connector: 1 x M8, straight; Locking: brass, nickel-plated



E30136



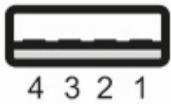
USB connection cable

USB M8 CABLE

Electrical connection - plug USB

1	L+
2	USB_M
3	USB_P
4	L-

Connector: 1 x USB, straight



Connection

