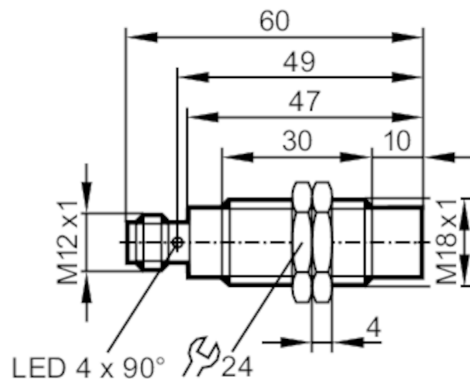


IG6084



Inductive analogue sensor

IGK3008A2PKG/US



Electrical data		
Operating voltage	[V]	15...30 DC
Current consumption	[mA]	< 20
Protection class		II
Reverse polarity protection		yes
Outputs		
Analogue voltage output	[V]	0...10; (linear; gradient: 1,389 V/mm; for frontal approach and for target made of mild steel: 24 x 24 x 1 mm)
Min. load resistance	[Ω]	2000
Short-circuit protection		yes
Overload protection		yes
Detection zone		
Measuring range	[mm]	0.8...8
Accuracy / deviations		
Correction factor		steel: 1 / stainless steel: 0.7 / brass: 0.5 / aluminium: 0.4 / copper: 0.3
Linearity error of analogue output	[%]	± 1 %; (of UA max)
Repeatability analogue output	[%]	± 1 %; (of UA max)
Temperature coefficient		± 5 %; (of UA max)
Response times		
Response time	[ms]	< 10
Operating conditions		
Ambient temperature	[°C]	-25...80
Protection		IP 67
Tests / approvals		
EMC		EN 60947-5-2
MTTF	[years]	1005

IG6084



Inductive analogue sensor

IGK3008A2PKG/US

Mechanical data		
Weight	[g]	63
Housing		threaded type
Mounting		non-flush mountable
Dimensions	[mm]	M18 x 1 / L = 60
Thread designation		M18 x 1
Materials		housing: brass white bronze coated; sensing face: PBT
Displays / operating elements		
Display	within the operating range	1 x LED, yellow lights
	outside the operating range	1 x LED, yellow flashing
Accessories		
Accessories (supplied)		lock nuts: 2
Remarks		
Pack quantity		1 pcs.

Electrical connection - plug

Connector: 1 x M12



Connection

