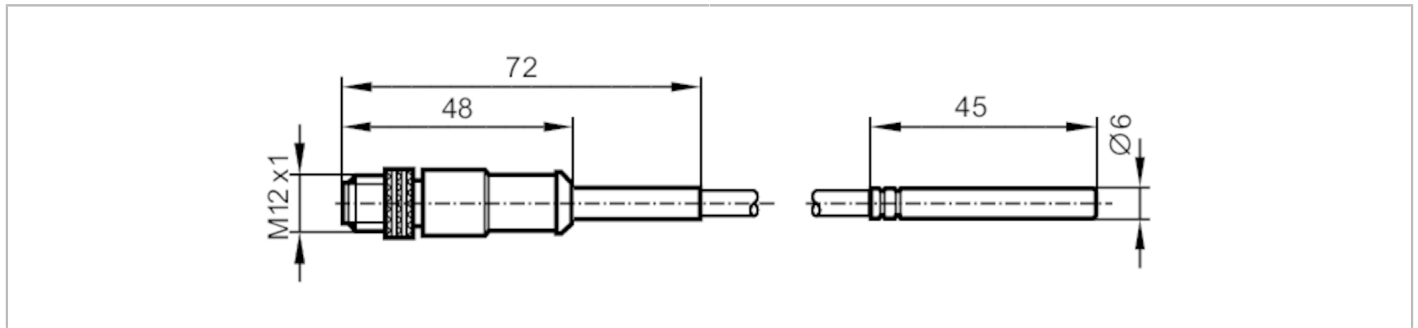


# TS5289



## Temperature cable sensor with process connection

TS-500KDKD6-...../US/



Application	
Measuring element	1 x Pt 100; (to DIN EN 60751, class A)
Media	liquids and gases
Minimum installation depth [mm]	15
Electrical data	
Protection class	III
Measuring/setting range	
Measuring range	-40...90 °C      -40...194 °F
Accuracy / deviations	
Accuracy [K]	± (0,15 K + 0,002 x  t )
Response times	
Dynamic response T05 / T09 [s]	3 / 10; (to DIN EN 60751)
Operating conditions	
Protection	IP 67
Mechanical data	
Weight [g]	172.6
Housing	measuring probe
Dimensions [mm]	Ø 6 / L = 45
Materials	stainless steel
Materials (wetted parts)	stainless steel (1.4404 / 316L)
Process connection	diameter Ø 6 mm
Probe diameter [mm]	6
Remarks	
Remarks	The values for accuracy apply to flowing water.
Pack quantity	1 pcs.

**Electrical connection**  
 Cable: 5 m, PUR

Connector: 1 x M12; Contacts: gold-plated



# TS5289



## Temperature cable sensor with process connection

TS-500KDKD6-...../US/

### Connection

