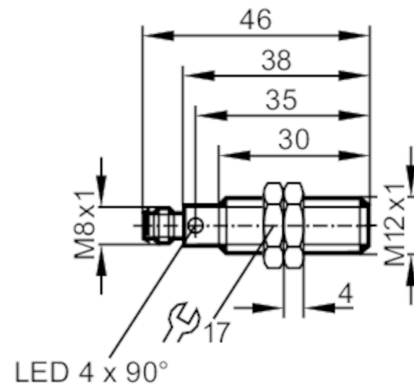


IFS210



Inductive sensor

IFB3004BBPKG/M/AS-514-TPS



Electrical data	
Operating voltage [V]	10...36 DC; ("supply class 2" to cULus)
Current consumption [mA]	10; (24 V)
Protection class	III
Reverse polarity protection	yes
Outputs	
Electrical design	PNP
Output function	normally open
Max. voltage drop switching output DC [V]	2.5
Permanent current rating of switching output DC [mA]	100
Switching frequency DC [Hz]	700
Short-circuit protection	yes
Type of short-circuit protection	pulsed
Overload protection	yes
Detection zone	
Sensing range [mm]	4
Real sensing range S_r [mm]	$4 \pm 10\%$
Operating distance [mm]	0...3.25
Increased sensing range	yes
Accuracy / deviations	
Correction factor	steel: 1 / stainless steel: 0.7 / brass: 0.5 / aluminium: 0.4 / copper: 0.3
Hysteresis [% of S_r]	3...15
Switch point drift [% of S_r]	-10...10
Operating conditions	
Ambient temperature [°C]	-25...70
Protection	IP 67; (if screwed on)

IFS210



Inductive sensor

IFB3004BBPKG/M/AS-514-TPS

Tests / approvals		
EMC	EN 61000-4-2 ESD	4 kV CD / 8 kV AD
	EN 61000-4-3 HF radiated	10 V/m
	EN 61000-4-4 Burst	2 kV
	EN 61000-4-6 HF conducted	10 V
	EN 55011	class B
MTTF	[years]	2017
UL approval	Ta	-25...70 °C
	Enclosure type	Type 1
	voltage supply	Class 2
	File number UL	E174191

Mechanical data		
Weight	[g]	25
Housing		threaded type
Mounting		flush mountable
Dimensions	[mm]	M12 x 1 / L = 46
Thread designation		M12 x 1
Materials		brass white bronze coated; sensing face: PBT

Displays / operating elements		
Display	switching status	4 x 90° LED, yellow

Accessories		
Accessories (supplied)		lock nuts: 2

Remarks		
Pack quantity		1 pcs.

Electrical connection - plug

Connector: 1 x M8; Contacts: gold-plated



IFS210



Inductive sensor

IFB3004BBPKG/M/AS-514-TPS

Connection

