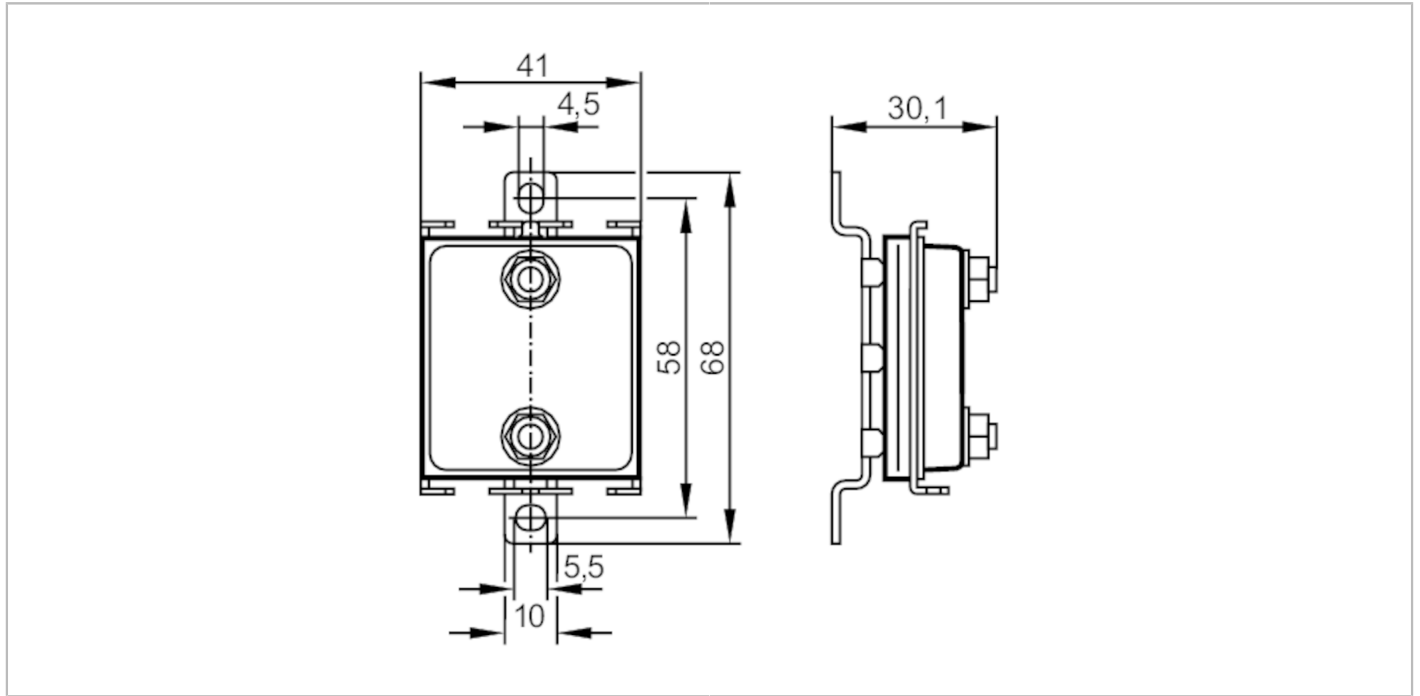


# E70377



## AS-Interface flat cable splitter

FCE Splitter yeye ProcessL



### Electrical data

Protection class		III
Max. current load total	[A]	8

### Outputs

Electrical design		AS-i
-------------------	--	------

### Operating conditions

Ambient temperature	[°C]	-30...80
Protection		IP 68; IP 69K

### Mechanical data

Weight	[g]	102.2
Materials		metal parts: stainless steel (1.4404 / 316L); rubber gasket for contact pins: FKM; Sealing: EPDM

### Accessories

Accessories (optional)		Torque wrench:, E70390
------------------------	--	------------------------

### Remarks

Remarks		tightening torque screws < 2,5 Nm
Pack quantity		1 pcs.