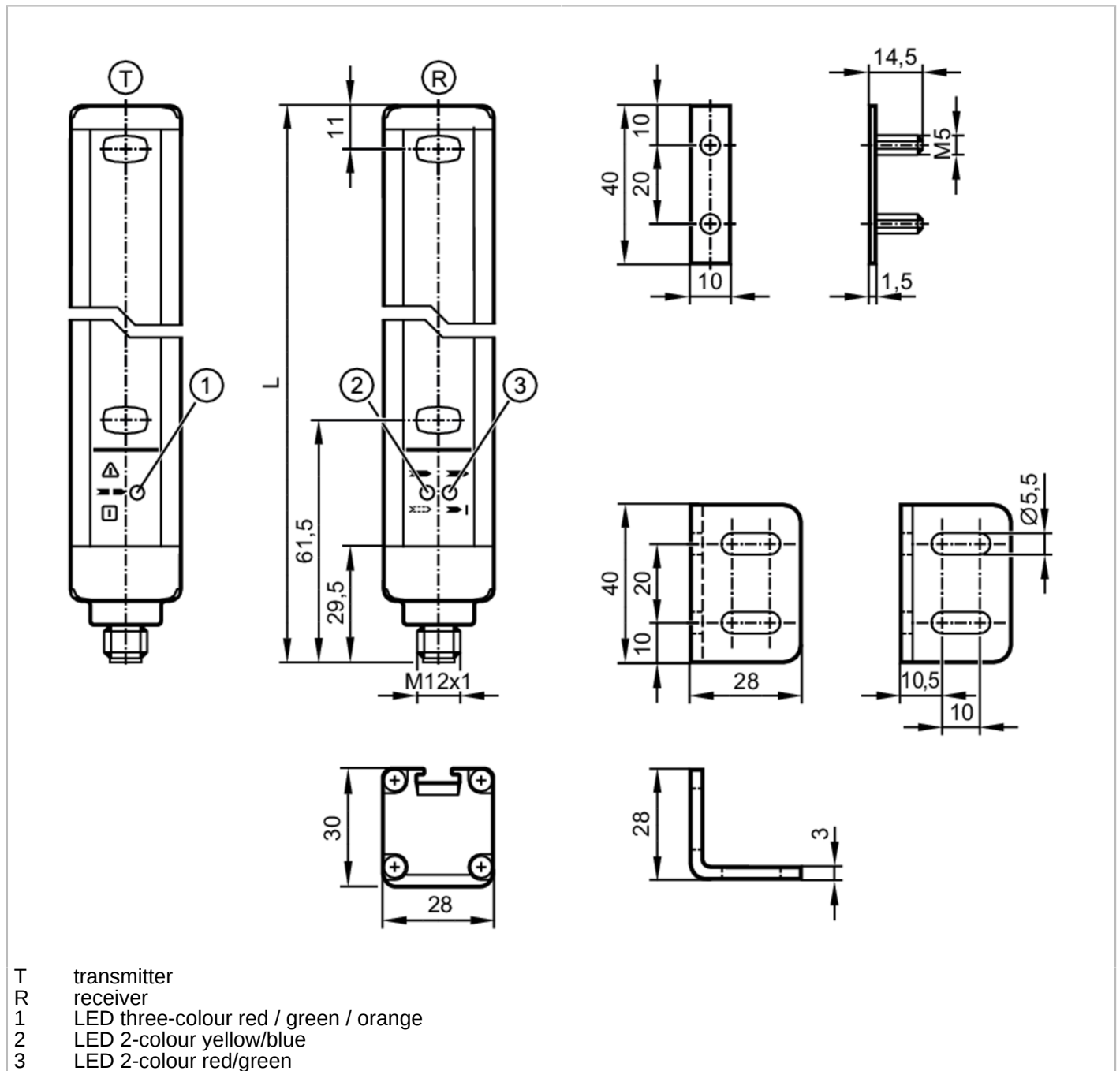


# OY011S



## Safety light curtain

OYA1810-14-4-06-P-1



### Application

Protective function access prevention finger protection

### Electrical data

Operating voltage tolerance	[%]	20
Operating voltage	[V]	24 DC
Protection class		III
Reverse polarity protection		yes
Power-on delay time	[s]	< 2
Type of light		infrared light



## Safety light curtain

OYA1810-14-4-06-P-1

receiver		
Current consumption	[mA]	83
transmitter		
Current consumption	[mA]	42
<b>Outputs</b>		
Electrical design		PNP
Number of OSSD outputs		2
Max. current load per OSSD output	[mA]	400; (24 V)
Short-circuit protection		yes
<b>Detection zone</b>		
Protected area height	[mm]	1810
Resolution (detection capacity d)	[mm]	14
Protection area width (low light intensity)	[m]	0...3
Protection area width (high light intensity)	[m]	1...6
<b>Response times</b>		
Response time	[ms]	20
<b>Operating conditions</b>		
Applications		class C to EN 60654-1 weatherproof application
Ambient temperature	[°C]	-10...55
Max. relative air humidity	[%]	95
Protection		IP 65; IP 67
<b>Tests / approvals</b>		
EMC		IEC 61496-1
Shock resistance		IEC 61496-1
Vibration resistance		IEC 61496-1
<b>Safety classification</b>		
ISO 13849-1		category: 4, PL: e
IEC 61508		SIL 3
IEC 62061		SILCL 3
Mission time TM	[h]	175200
Safety-related reliability PFHD	[1/h]	3.7E-08
<b>Mechanical data</b>		
Weight	[g]	5708
Dimensions	[mm]	1863 x 28 x 30
Materials		housing: aluminium; front lens: PC
Length L	[mm]	1863

# OY011S



## Safety light curtain

OYA1810-14-4-06-P-1

### Displays / operating elements

Display		LED, yellow
		LED, green
		LED, red
		LED, blue
		LED, orange

### Accessories

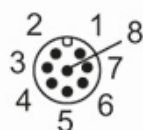
Accessories (supplied)	mounting bracket: 6
	slot nuts: 6
	Nuts

### Remarks

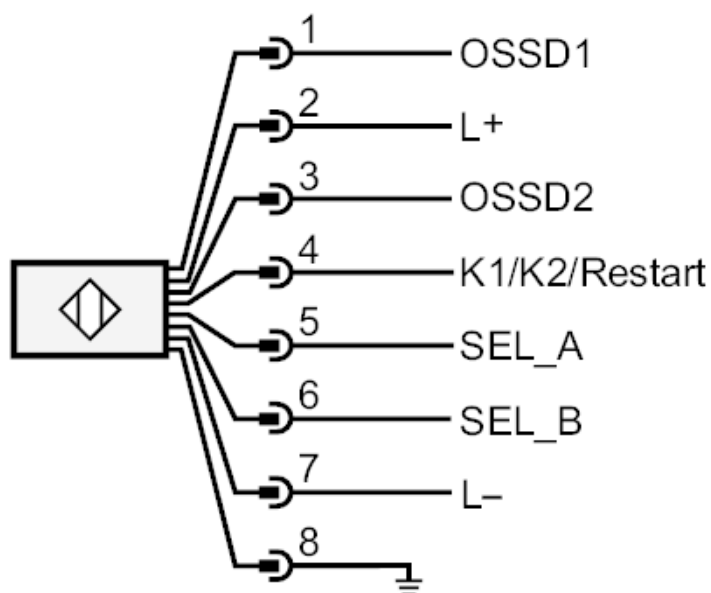
Pack quantity	1 pcs.
---------------	--------

### Electrical connection - receiver

Connector: 1 x M12; Maximum cable length: 100 m; for wire cross-section 0.34 mm<sup>2</sup>



### Connection



# OY011S

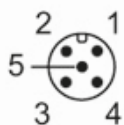


## Safety light curtain

OYA1810-14-4-06-P-1

### Electrical connection - transmitter

Connector: 1 x M12



### Connection

