

SWITCH-DISCONNECTOR 32A, FRAME SIZE 1, 3-POLE FRONT OPERATING LEFT COMPLETE ASSEMBLY DIRECT OPERATING MECHANISM GREY BOX TERMINAL



Model	
Product brand name	SENTRON
Product designation	3KD switch disconnecter
Design of the product	Switch
Display version / for switch position indicator manual operation	ON-OFF-TEST
Design of the operating mechanism	Long rotary knob
Type of the driving mechanism / motor drive	No
General technical data	
Number of poles	3
Type of device	fixed mounting
Size of switch disconnecter	1
Electrical endurance (switching cycles)	
<ul style="list-style-type: none"> <li>• at AC-23 A / at 690 V / at 50/60 Hz</li> </ul>	6 000
<ul style="list-style-type: none"> <li>• at DC-23 A / at 440 V</li> </ul>	1 500
<ul style="list-style-type: none"> <li>• I<sup>2</sup>t value / with closed switch / for combination switch + fuse / at 500 V / maximum</li> </ul>	13 300 A <sup>2</sup> ·s
<ul style="list-style-type: none"> <li>• I<sup>2</sup>t value / with closed switch / for combination switch + fuse / at 400 V / maximum</li> </ul>	13 300 A <sup>2</sup> ·s

<ul style="list-style-type: none"> <li>• I2t value / with closed switch / at 690 V / for combination switch + gG fuse / maximum</li> </ul>	13 700 A <sup>2</sup> ·s
<ul style="list-style-type: none"> <li>• I2t value / of the fuse / at 500 V / maximum permissible</li> </ul>	26 505 A <sup>2</sup> ·s
<ul style="list-style-type: none"> <li>• I2t value / of the gG fuse / at 690 V / maximum permissible</li> </ul>	24 005 A <sup>2</sup> ·s
<b>circuit-breaker / Design</b>	3KD2
<b>Mechanical service life (switching cycles) / typical</b>	15 000
<b>Position / of the switch operating mechanism</b>	at the left end
<b>Overvoltage category</b>	III

### Voltage

<b>Operating voltage / with current paths in series</b>	
<ul style="list-style-type: none"> <li>• with degree of pollution 2 / at DC / rated value / Note</li> </ul>	440 V / 3
<ul style="list-style-type: none"> <li>• with degree of pollution 3 / at DC / rated value / Note</li> </ul>	440 / 3
<b>Insulation voltage</b>	
<ul style="list-style-type: none"> <li>• rated value</li> </ul>	1 000 V
Surge voltage resistance / rated value	8 kV
<b>Overvoltage in percent / relative to the operating voltage / at AC / at 50/60 Hz</b>	10 %

### Protection class

<b>Protection class IP</b>	IP20
<b>Protection class IP</b>	
<ul style="list-style-type: none"> <li>• with closed switch / with cover or cable lug cover</li> </ul>	IP20
<ul style="list-style-type: none"> <li>• on the front</li> </ul>	IP20

### Dissipation

<b>Power loss [W]</b>	
<ul style="list-style-type: none"> <li>• with conventional rated thermal current / per pole</li> </ul>	0.6 W

### Electricity

<b>Operating current</b>	
<ul style="list-style-type: none"> <li>• at AC-21 A / at 400 V / maximum</li> </ul>	32 A
<ul style="list-style-type: none"> <li>• at AC-21 A / at 500 V / maximum</li> </ul>	32 A
<ul style="list-style-type: none"> <li>• at AC-21 A / at 690 V / maximum</li> </ul>	32 A
<ul style="list-style-type: none"> <li>• at AC-23 A / at 500 V / at 50/60 Hz / rated value / maximum</li> </ul>	32 A
<ul style="list-style-type: none"> <li>• at AC-22 A / at 500 V / at 50/60 Hz / rated value / maximum</li> </ul>	32 A
<ul style="list-style-type: none"> <li>• at AC-22 A / at 400 V / at 50/60 Hz / rated value / maximum</li> </ul>	32 A

• at AC-22 A / at 690 V / at 50/60 Hz / rated value / maximum	32 A
• at AC-23 A / at 400 V / at 50/60 Hz / rated value / maximum	32 A
• at AC-23 A / at 690 V / at 50/60 Hz / rated value / maximum	32 A
• at DC-23 A / at 440 V / rated value / maximum	32 / 3
• at DC-23 A / at 220 V / rated value / maximum	32 / 2
• at DC-22 A / at 440 V / rated value / maximum	32 / 3
• at DC-22 A / at 220 V / rated value / maximum	32 / 2
• at DC-21 A / at 440 V / rated value / maximum	32 / 3
• at DC-21 A / at 220 V / maximum	32 / 2
Current / at AC / rated value	32 A
<b>Continuous current</b>	
• rated value	32 A
• at 40 °C / rated value	32 A
• at 45 °C / rated value	32 A
• at 50 °C / rated value	32 A
• at 55 °C / rated value	32 A
• at 60 °C / rated value	32 A
• at 65 °C / rated value	32 A
• at 70 °C / rated value	32 A
Continuous current / at DC / rated value	32 A
<b>Let-through current / of the fuse / at 500 V / maximum permissible</b>	8 135 A
<b>Let-through current / of the gG fuse / at 690 V / maximum permissible</b>	8 805 A
<b>Let-through current / with closed switch</b>	
• at 690 V / for combination switch + gG fuse / maximum permissible	7 500 A
• for combination switch + fuse / at 400 V / maximum permissible	7 000 A
• for combination switch + fuse / at 500 V / maximum permissible	7 000 A
<b>Short-time current resistance (I<sub>cw</sub>)</b>	
• at 690 V AC/440 V DC / limited to 1 s / rated value	3 kA
<b>Main circuit</b>	
<b>Operating power</b>	
• at AC-23 A / at 400 V / at 50/60 Hz / rated value	15 kW
• at AC-23 A / at 500 V / at 50/60 Hz / rated value	18.5 kW
• at AC-23 A / at 690 V / at 50/60 Hz / rated value	30 kW
<b>Operating voltage</b>	

- at AC / at 50/60 Hz / rated value

690 V

### Auxiliary circuit

Number of connected NC contacts / for auxiliary contacts	0
Number of connected NO contacts / for auxiliary contacts	0
Number of connected CO contacts / for auxiliary contacts	0

### Suitability

<b>Suitability for use</b>	
• Main switch	Yes
• switch disconnecter	Yes
• EMERGENCY OFF switch	No
• safety switch	Yes
• maintenance/repair switch	Yes

### Product details

Product feature / interlock	Yes
<b>Product component</b>	
• Trip indicator	No
• Voltage trigger	No
• undervoltage release	No
• undervoltage release with leading contact	No
<b>Product extension</b>	
• Auxiliary switch	Yes
• optional	
— motor drive	No
— Voltage trigger	No

### Short circuit

<b>Short-circuit current making capacity (I<sub>cm</sub>)</b>	
• for switch disconnecter / at 690 V AC/440 V DC / without fuse link / rated value / minimum	7 kA
• for switch disconnecter / without fuse link / rated value / minimum	7 kA
<b>Conditional short-circuit current / with line-side fuse protection</b>	
• at 500 V / by gG fuse / rated value	100 kA
<b>Short-time current resistance (I<sub>cw</sub>) / limited to 1 s / rated value</b>	3 kA

### Connections

• Type of connectable conductor cross-sections / for copper conductor / solid	1x (1 ... 16 mm <sup>2</sup> )
---	--------------------------------

<ul style="list-style-type: none"> <li>Type of connectable conductor cross-sections / for copper conductor / finely stranded / with core end processing</li> </ul>	1x (1 ... 35 mm <sup>2</sup> )
<ul style="list-style-type: none"> <li>Type of connectable conductor cross-sections / for copper conductor / stranded</li> </ul>	1x (6 ... 35 mm <sup>2</sup> )
<b>Type of electrical connection</b> <ul style="list-style-type: none"> <li>for main current circuit</li> </ul>	Box terminal

### Mechanical Design

<b>Height</b>	119 mm
<b>Width</b>	94 mm
<b>Depth</b>	87 mm
<b>Mounting position</b>	any
<b>Mounting type</b>	Screw fixing and standard rail mounting 35 mm
<b>Mounting type</b> <ul style="list-style-type: none"> <li>front mounting with 4-hole attachment</li> <li>front mounting with central attachment</li> <li>rail mounting</li> </ul>	No No Yes
<b>Net weight</b>	750 g

### Environmental conditions

<b>Degree of pollution</b>	3
<b>Ambient temperature</b> <ul style="list-style-type: none"> <li>during operation / minimum</li> <li>during operation / maximum</li> <li>during storage / minimum</li> <li>during storage / maximum</li> </ul>	-25 °C 70 °C -50 °C 80 °C

### Certificates

<b>Equipment marking</b> <ul style="list-style-type: none"> <li>acc. to DIN EN 61346-2</li> <li>acc. to DIN EN 81346-2</li> </ul>	Q Q
---	--------

<b>General Product Approval</b>	<b>Declaration of Conformity</b>
---------------------------------	----------------------------------



[Miscellaneous](#)



### Further information

**Information- and Downloadcenter (Catalogs, Brochures,...)**

<http://www.siemens.com/lowvoltage/catalogs>

**Industry Mall (Online ordering system)**

<https://mall.industry.siemens.com/mall/en/en/Catalog/product?mlfb=3KD2232-2ME10-0>

**Service&Support (Manuals, Certificates, Characteristics, FAQs,...)**

<https://support.industry.siemens.com/cs/ww/en/ps/3KD2232-2ME10-0>

Image database (product images, 2D dimension drawings, 3D models, device circuit diagrams, ...)

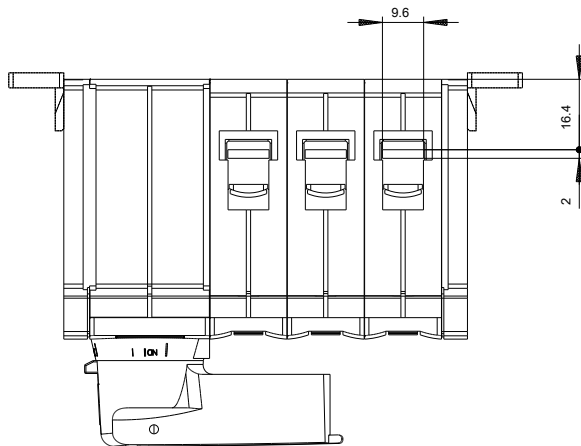
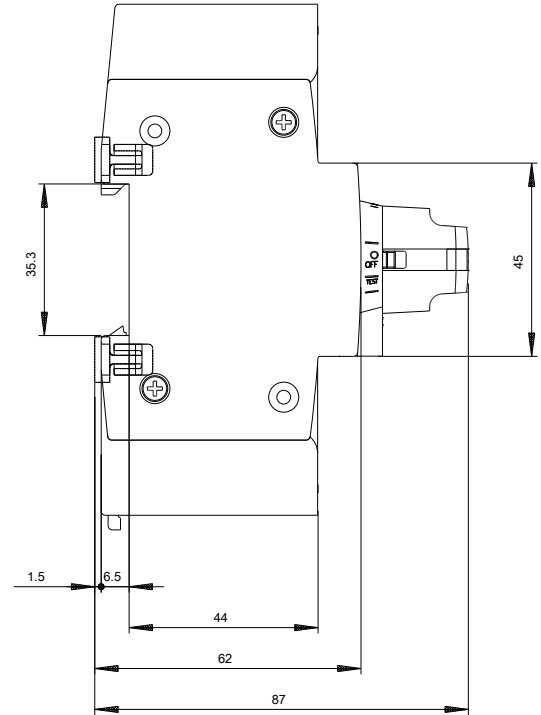
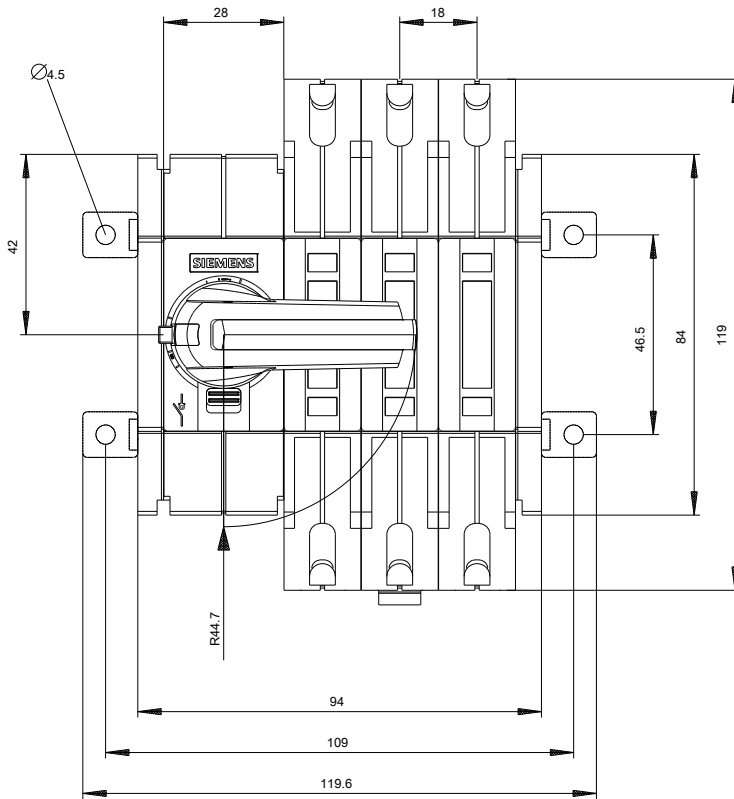
[http://www.automation.siemens.com/bilddb/cax\\_en.aspx?mlfb=3KD2232-2ME10-0](http://www.automation.siemens.com/bilddb/cax_en.aspx?mlfb=3KD2232-2ME10-0)

CAx-Online-Generator

<http://www.siemens.com/cax>

Tender specifications

<http://www.siemens.com/specifications>



-Q

