

SIRIUS SAFETY RELAY BASIC UNIT ADVANCED SERIES WITH  
 TIME DELAY 0.05-3S RELAY ENABLING CIRCUITS 2  
 INSTANTANEOUS NO CONTACTS 2 DELAYED NO CONTACTS  
 US = 24 V DC SCREW TERMINAL



Figure similar

General technical data	
product brandname	SIRIUS
Product category	Safety relays
Product designation	safety relays
Protection class IP of the enclosure	IP20
Protection against electrical shock	finger-safe
Insulation voltage rated value	300 V
Ambient temperature	
• during storage	-40 ... +80 °C
• during operation	-25 ... +60 °C
Air pressure acc. to SN 31205	90 kPa ... 106 kPa
Relative humidity during operation	10 ... 95 %
Installation altitude at height above sea level maximum	2 000 m
Vibration resistance acc. to IEC 60068-2-6	5 ... 500 Hz: 0,75 mm
Shock resistance	10g / 11 ms
Surge voltage resistance rated value	4 000 V
EMC emitted interference	IEC 60947-5-1, Class A

<b>Installation environment regarding EMC</b>	This product is suitable for Class A environments only. It can cause undesired radio-frequency interference in residential environments. If this is the case, the user must take appropriate measures.
<b>Overvoltage category</b>	3
<b>Degree of pollution</b>	3
<b>Number of sensor inputs 1-channel or 2-channel</b>	1
<b>Design of the cascading</b>	yes
<b>Type of the safety-related wiring of the inputs</b>	single-channel and two-channel
<b>Product feature cross-circuit-proof</b>	Yes
<b>Safety Integrity Level (SIL)</b>	
• acc. to IEC 61508	SIL3
• for delayed release circuit acc. to IEC 61508	SIL3
<b>Performance level (PL)</b>	
• acc. to EN ISO 13849-1	e
• for delayed release circuit acc. to EN ISO 13849-1	e
<b>Category acc. to EN ISO 13849-1</b>	4
<b>Safe failure fraction (SFF)</b>	99 %
<b>PFHD with high demand rate acc. to EN 62061</b>	0.0000000037 1/h
<b>PFDavg with low demand rate acc. to IEC 61508</b>	0.000007
<b>T1 value for proof test interval or service life acc. to IEC 61508</b>	20 y
<b>Hardware fault tolerance acc. to IEC 61508</b>	1
<b>Safety device type acc. to IEC 61508-2</b>	Type B
<b>Number of outputs as contact-affected switching element</b>	
• as NC contact	
— for signaling function instantaneous contact	0
— for signaling function delayed switching	0
— safety-related instantaneous contact	0
— safety-related delayed switching	0
• as NO contact	
— for signaling function instantaneous contact	0
— for signaling function delayed switching	0
— safety-related instantaneous contact	2
— safety-related delayed switching	2
<b>Number of outputs as contact-less semiconductor switching element</b>	
• safety-related	
— delayed switching	0
— instantaneous contact	0

• for signaling function instantaneous contact	0
Stop category acc. to DIN EN 60204-1	0 / 1
<b>General technical data</b>	
<b>Design of input</b>	
• cascading input/functional switching	Yes
• feedback input	Yes
• Start input	Yes
<b>Type of electrical connection Plug-in socket</b>	No
<b>Operating frequency maximum</b>	360 1/h
<b>Switching capacity current</b>	
• of the NO contacts of the relay outputs	
— at DC-13	
— at 24 V	3 A
— at 115 V	0.2 A
— at 230 V	0.1 A
— at AC-15	
— at 115 V	3 A
— at 230 V	3 A
<b>Thermal current of the switching element with contacts maximum</b>	5 A
<b>Operating current at 17 V minimum</b>	5 mA
<b>Mechanical service life (switching cycles) typical</b>	10 000 000
<b>Design of the fuse link for short-circuit protection of the NO contacts of the relay outputs required</b>	gL/gG: 6A or circuit breaker type A: 3A or circuit breaker type B: 2A or circuit breaker type C: 1A
<b>Wire length</b>	
• with Cu 1.5 mm <sup>2</sup> and 150 nF/km per sensor circuit maximum	4 000 m
<b>Make time with automatic start</b>	
• at DC maximum	110 ms
<b>Make time with automatic start after power failure</b>	
• typical	6 500 ms
• maximum	6 500 ms
<b>Make time with monitored start</b>	
• maximum	110 ms
<b>Backslide delay time after opening of the safety circuits typical</b>	40 ms
<b>Backslide delay time in the event of power failure</b>	
• typical	30 ms
• maximum	40 ms
<b>Adjustable OFF-delay time after opening of the safety circuits</b>	0.05 ... 3
<b>Recovery time after opening of the safety circuits typical</b>	30 ms

<b>Recovery time after power failure typical</b>	6.5 s
<b>Pulse duration</b>	
• of the sensor input minimum	75 ms
• of the ON pushbutton input minimum	0.15 s

#### Control circuit/ Control

<b>Type of voltage of the control supply voltage</b>	DC
<b>Control supply voltage</b>	
• at DC	
— rated value	24 V
<b>Operating range factor control supply voltage rated value of magnet coil</b>	
• at DC	0.8 ... 1.2
<b>Power loss [W] typical</b>	2.5 W

#### Installation/ mounting/ dimensions

<b>Mounting position</b>	any
<b>Required spacing for grounded parts at the side</b>	5 mm
<b>Required spacing with side-by-side mounting at the side</b>	0 mm
<b>Mounting type</b>	screw and snap-on mounting
<b>Width</b>	22.5 mm
<b>Height</b>	100 mm
<b>Depth</b>	121.6 mm

#### Connections/Terminals

<b>Type of electrical connection</b>	screw-type terminals
<b>Type of connectable conductor cross-sections</b>	
• solid	1x (0.5 ... 2.5 mm <sup>2</sup> ), 2x (1.0 ... 1.5 mm <sup>2</sup> )
• finely stranded	
— with core end processing	1x (0.5 ... 2.5 mm <sup>2</sup> ), 2x (0.5 ... 1.0 mm <sup>2</sup> )
<b>Type of connectable conductor cross-sections at AWG conductors</b>	
• solid	1x (20 ... 14), 2x (18 ... 16)
• stranded	1x (20 ... 16), 2x (20 ... 16)

#### Product Function

<b>Product function parameterizable</b>	Sensor floating / sensor non-floating, monitored start / autostart, 1-channel / 2-channel sensor connection, cross-circuit detection, startup testing, antivalent sensors, 2-hand switches, time delay
<b>Suitability for operation Device connector 3ZY12</b>	Yes
<b>Suitability for interaction press control</b>	Yes
<b>Suitability for use</b>	
• safety switch	Yes
• Monitoring of floating sensors	Yes
• Monitoring of non-floating sensors	Yes

- magnetically operated switch monitoring
- safety-related circuits

Yes

Yes

## Certificates/approvals

<b>General Product Approval</b>	<b>EMC</b>	<b>Functional Safety/Safety of Machinery</b>
---------------------------------	------------	--



[Baumusterbescheinigung](#)

<b>Declaration of Conformity</b>	<b>Test Certificates</b>	<b>Shipping Approval</b>	<b>other</b>
----------------------------------	--------------------------	--------------------------	--------------



[Typprüfbescheinigung/Werkszeugnis](#)



[Bestätigungen](#)

## Railway

[Bestätigungen](#)

## Further information

**Information- and Downloadcenter (Catalogs, Brochures,...)**

<http://www.siemens.com/industrial-controls/catalogs>

**Industry Mall (Online ordering system)**

<https://mall.industry.siemens.com/mall/en/en/Catalog/product?mlfb=3SK1121-1CB41>

**Cax online generator**

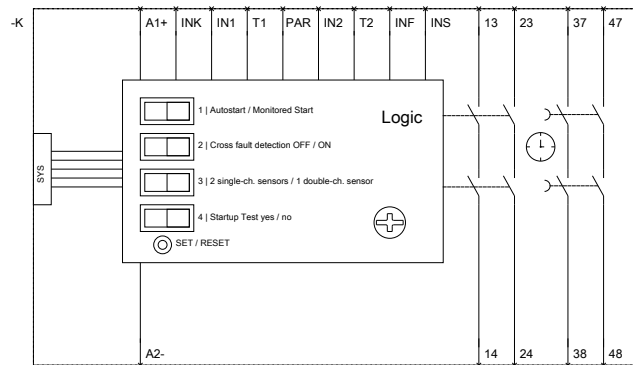
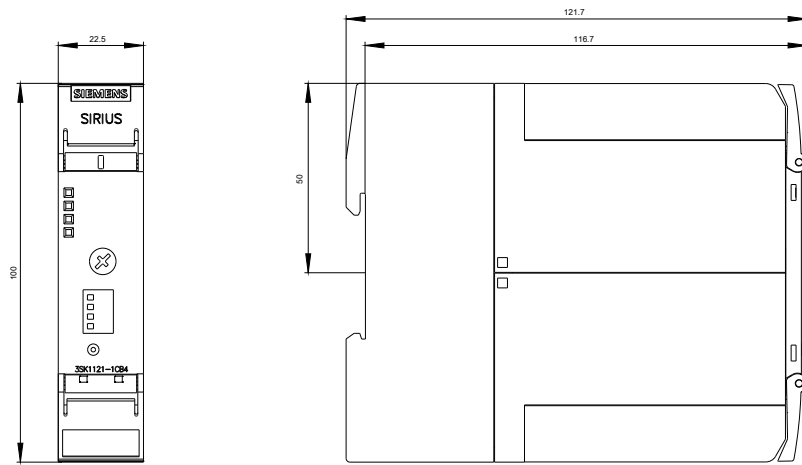
<http://support.automation.siemens.com/WW/CAXorder/default.aspx?lang=en&mlfb=3SK1121-1CB41>

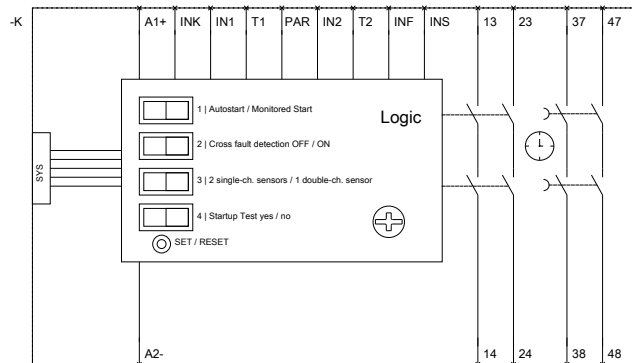
**Service&Support (Manuals, Certificates, Characteristics, FAQs,...)**

<https://support.industry.siemens.com/cs/ww/en/ps/3SK1121-1CB41>

**Image database (product images, 2D dimension drawings, 3D models, device circuit diagrams, EPLAN macros, ...)**

[http://www.automation.siemens.com/bilddb/cax\\_de.aspx?mlfb=3SK1121-1CB41&lang=en](http://www.automation.siemens.com/bilddb/cax_de.aspx?mlfb=3SK1121-1CB41&lang=en)





last modified:

01/28/2017